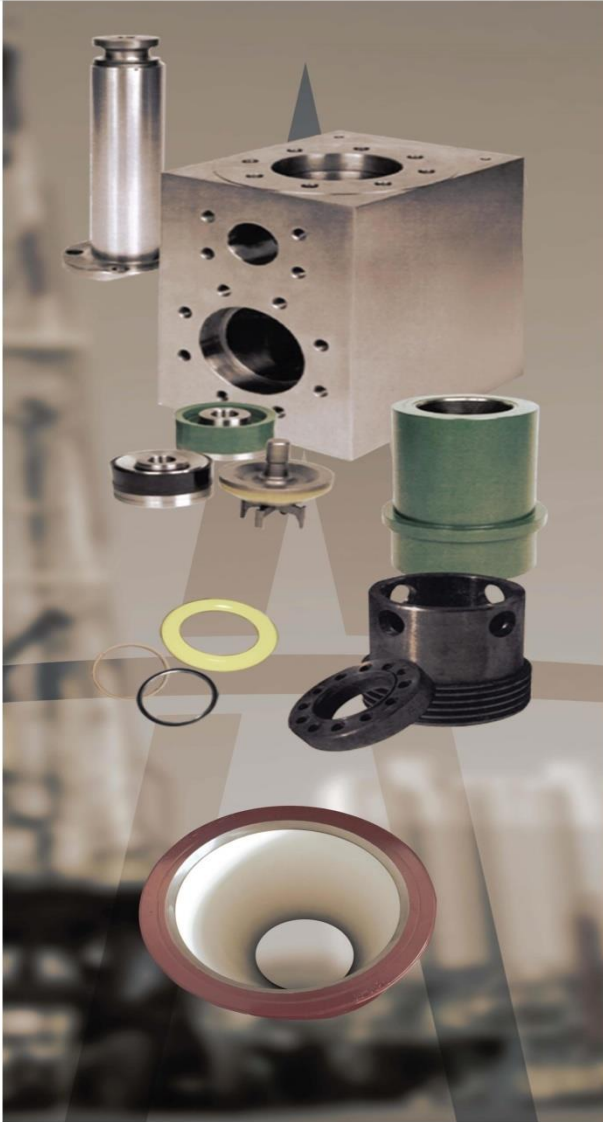


MUD PUMP SPARE PARTS MANUAL



KOD (Kingrig & Oilman DMCC) Headquartered in Dubai, UAE, with manufacturing facility in China, is focused on supply of mud pump spare parts, We committed to quality, on-time delivery and cost-effectiveness.

Our main items include but not limited below:

---Mud pump fluid end parts for NOV pump (P and F pump), Gardner Denver (PZ pump) , BOMCO (F pump) and HH (F pump)

---Frac pump fluid end module and AR valves for FMC, GD, SPM pump

---BOMCO made F series Mud pump

---RS made PZ series Mud pump

KINGRIG & OILMAN DMCC

Add: Unit 1008, Fortune Tower, Cluster C JLT,
Dubai, U.A.E

Email: Sales@kingrig-oilman.com

Website: <http://www.kingrig-oilman.com>

TABLE OF CONTENTS

DESCRIPTION	PAGE
MUD PUMP EXPENDABLES	
EMSCO F-350	3
EMSCO F-500	4
EMSCO F-650	5
EMSCO F-800	6
EMSCO F-1000	7
EMSCO FB-1300	8
EMSCO FB-1600	9
OPI 700HDL.....	10
GARDNER DENVER PAH (All Models), PJ8A.....	11
GARDNER DENVER TEE & TGE.....	12
GARDNER DENVER PZ-GA & GB PZ-7	13
GARDNER DENVER PZ-H-E, VE PZ-8.....	14
GARDNER DENVER PZ-GA & GB PZ-9	15
GARDNER DENVER PZ-10	16
GARDNER DENVER PZ-11.....	17
IDECO T-500	18
IDECO T-800	19
IDECO T-1000	20
IDECO T-1300	21
IDECO T-1600	22
OILWELL A-560-PT.....	23
OILWELL A-600-PT.....	24
OILWELL A-850-PT.....	25
OILWELL A-1100-PT.....	26
OILWELL A-1400-PT.....	27
OILWELL A-1700-PT.....	28
NATIONAL JWS-165/340.....	29
NATIONAL JWS-400.....	30
NATIONAL 7-P-50.....	31
NATIONAL 8-P-80.....	32
NATIONAL 9-P-100.....	33
NATIONAL 10-P-130.....	34
NATIONAL 12-P-160.....	35
FLUID END MODULE AND ACCESSORIES	
EMSCO F-350, F-500 & F-650	37
EMSCO F-800 & F-1000.....	39
EMSCO FB-1300 & FB-1600	41
BOMCO F-1300 & F-1600	44
IDECO T-500, T-800 & T-1000.....	45
IDECO T-1300 & T-1600	47
GARDNER DENVER PAH (All Models)	49
GARDNER DENVER PZ-7, PZ-8 & PZ-9.....	51
GARDNER DENVER PZ-10 & PZ-11.....	54
NATIONAL 7-P-50.....	56
NATIONAL 8-P-80.....	57
NATIONAL 9-P-100.....	59
NATIONAL 10-P-130.....	61
NATIONAL 12-P-160.....	63
OILWELL A-850-PT, A-1100-PT, A-1400-PT & A-1700-PT	66

TABLE OF CONTENTS (cont.)

DESCRIPTION	PAGE
"L" SHAPED FLUID END MODULE AND ACCESSORIES	
EMSCO FB-1300 & FB-1600	68
IDECO T-1300 & T-1600	70
GARDNER DENVER PZ-10 & PZ-11	72
NATIONAL 10-P-130	74
NATIONAL 12-P-160	76
OILWELL A-850-PT, A-1100-PT, A-1400-PT & A-1700-PT.....	78
7500PSI FLUID END MODULES AND ACCESSORIES	
SW STYLE BOMCO F-1600 7500 PSI	80
SW STYLE GARDNER DENVER PZ-11	82
HYDRAULIC VALVE SEAT PULLER.....	84
PULSATION DAMPENERS AND STRAINER BLOCKS	

6³/₄ × 7

F-350

Liners & Liner Packing		
SIZES	LINER	LINER PACKING
4"	0146-40	G-0281
4½"	0146-44	G-0281
5"	0146-50	G-0281
5½"	0146-54	G-0281
6"	0146-60	G-0281
6¼"	0146-62	G-0281
6½"	0146-64	G-0281
6¾"	0146-66	G-0281

Gaskets	
Valve Cover Gasket	Cylinder Head Gasket
G-0733	G-0281

SERIES	VALVE	SEAT	SPRING	URETHANE INSERT	PULLER HEAD
P-4 WEB	U5B-05	5DD-B1	5710-111	UDD-5B	1700-5
P-FULL OPEN	5DFO-V1	5DFO-S1	5710-030	5DFO-SI	1700-5FO
P-DOUBLE ANGLE	0500117	0508623	05147900	0515844	1700-5BA
P-PLATE TYPE	0504991	0508623	05144230	0504888	1700-5BA

Piston Size	Red Thunder Bonded Pistons	Imperial Piston	Imperial Rubber Kits	Rubber Bonded	Long Life (Urethane)
4"	KOD-400-10	I40HK10	I40HK	RB-400-10	LL-400-10
4½"	KOD-440-10	I44HK10	I44HK	RB-440-10	LL-440-10
5"	KOD-500-10	I50HB10	I50HB	RB-500-10	LL-500-10
5½"	KOD-540-10	I54HB10	I54HB	RB-540-10	LL-540-10
6"	KOD-600-10	I60HB10	I60HB	RB-600-10	LL-600-10
6½"	KOD-640-10	I64HL10	I64HL	RB-640-10	LL-640-10

* ¼ Size are available upon request

RODS					
	PISTON ROD	SUB ROD	EXTENSION ROD	ROD CLAMP	PISTON ROD NUT
PART NO.	0147	N/A	16-0142	24-0146	7403224

EMSCO

6³/₄×7¹/₂

F-500

Liners & Liner Packing		
SIZES	LINER	LINER PACKING
4"	0146-40	G-0281
4½"	0146-44	G-0281
5"	0146-50	G-0281
5½"	0146-54	G-0281
6"	0146-60	G-0281
6¼"	0146-62	G-0281
6½"	0146-64	G-0281
6¾"	0146-66	G-0281

Gaskets	
Valve Cover Gasket	Cylinder Head Gasket
G-0733	G-0281

SERIES	VALVE	SEAT	SPRING	URETHANE INSERT	PULLER HEAD
P-4 WEB	U5B-05	5DD-B1	5710-111	UDD-5B	1700-5
P-FULL OPEN	5DFO-V1	5DFO-S1	5710-030	5DFO-SI	1700-5FO
P-DOUBLE ANGLE	0500117	0508623	05147900	0515844	1700-5BA
P-PLATE TYPE	0504991	0508623	05144230	0504888	1700-5BA

Piston Size	Red Thunder Bonded Pistons	Imperial Piston	Imperial Rubber Kits	Rubber Bonded	Long Life (Urethane)
4"	KOD-400-10	I40HK10	I40HK	RB-400-10	LL-400-10
4½"	KOD-440-10	I44HK10	I44HK	RB-440-10	LL-440-10
5"	KOD-500-10	I50HB10	I50HB	RB-500-10	LL-500-10
5½"	KOD-540-10	I54HB10	I54HB	RB-540-10	LL-540-10
6"	KOD-600-10	I60HB10	I60HB	RB-600-10	LL-600-10
6½"	KOD-640-10	I64HL10	I64HL	RB-640-10	LL-640-10

* ¼ Size are available upon request

RODS					
	PISTON ROD	SUB ROD	EXTENSION ROD	ROD CLAMP	PISTON ROD NUT
PART NO.	0146	N/A	16-0142	24-0146	7403224

EMSCO

6³/₄ × 8

F-650

Liners & Liner Packing		
SIZES	LINER	LINER PACKING
4"	0146-40	G-0281
4½"	0146-44	G-0281
5"	0146-50	G-0281
5½"	0146-54	G-0281
6"	0146-60	G-0281
6¼"	0146-62	G-0281
6½"	0146-64	G-0281
6¾"	0146-66	G-0281

Gaskets	
Valve Cover Gasket	Cylinder Head Gasket
G-0733	G-0281

SERIES	VALVE	SEAT	SPRING	URETHANE INSERT	PULLER HEAD
P-4 WEB	U5B-05	5DD-B1	5710-111	UDD-5B	1700-5
P-FULL OPEN	5DFO-V1	5DFO-S1	5710-030	5DFO-SI	1700-5FO
P-DOUBLE ANGLE	0500117	0508623	05147900	0515844	1700-5BA
P-PLATE TYPE	0504991	0508623	05144230	0504888	1700-5BA

Piston Size	Red Thunder Bonded Pistons	Imperial Piston	Imperial Rubber Kits	Rubber Bonded	Long Life (Urethane)
4"	KOD-400	I40HK14/15	I40HK	RB-400	LL-400
4½"	KOD-440	I44HK14/15	I44HK	RB-440	LL-440
5"	KOD-500	I50HB14/15	I50HB	RB-500	LL-500
5½"	KOD-540	I54HB14/15	I54HB	RB-540	LL-540
6"	KOD-600	I60HB14/15	I60HB	RB-600	LL-600
6½"	KOD-640	I64HL14/15	I64HL	RB-640	LL-640

* ¼ Size are available upon request

RODS					
	PISTON ROD	SUB ROD	EXTENSION ROD	ROD CLAMP	PISTON ROD NUT
PART NO.	0151	N/A	16-0141	24-0147	7403364

EMSCO

6³/₄ × 9

F-800

Liners & Liner Packing		
SIZES	LINER	LINER PACKING
4"	0148-40	G-0282
4½"	0148-44	G-0282
5"	0148-50	G-0282
5½"	0148-54	G-0282
6"	0148-60	G-0282
6¼"	0148-62	G-0282
6½"	0148-64	G-0282

Gaskets	
Valve Cover Gasket	Cylinder Head Gasket
G-0740	G-0282

SERIES	VALVE	SEAT	SPRING	URETHANE INSERT	PULLER HEAD
P-4 WEB	U5B-EH	6ADD-B6	5710-111	UDD-6AB	1700-6
P-4 WEB HIGH TEMP	U5B-EHHT	6ADD-B6	5710-111	UDD-6ABHT	1700-6
P-FULL OPEN	6FO-V1	6FO-S6	5710-115	6FO-SI	1700-6FO
P-G2	1560995	1561380	1560701	1560587	1700-6G2
P-ROUGHNECK	RN6-V1	RN6-S6	5710-110L	RN6-I	1700-6FO
P-SW FULL OPEN	773-1	873-2	951	973	1700-6SW
P-DOUBLE ANGLE	0500119	0520008	05139890	0515845	1700-6BA
P-PLATE TYPE	0505038	0520008	05139880	0504890	1700-6BA

Piston Size	Red Thunder Bonded Pistons	Imperial Piston	Imperial Rubber Kits	Rubber Bonded	Long Life (Urethane)
4"	KOD-400	I40HK14/15	I40HK	RB-400	LL-400
4½"	KOD-440	I44HK14/15	I44HK	RB-440	LL-440
5"	KOD-500	I50HB14/15	I50HB	RB-500	LL-500
5½"	KOD-540	I54HB14/15	I54HB	RB-540	LL-540
6"	KOD-600	I60HB14/15	I60HB	RB-600	LL-600
6½"	KOD-640	I64HL14/15	I64HL	RB-640	LL-640

* ¼ Size are available upon request

RODS					
	PISTON ROD	SUB ROD	EXTENSION ROD	ROD CLAMP	PISTON ROD NUT
PART NO.	0150	N/A	16-0150	24-0150	7403364

EMSCO

6³/₄ × 10

F-1000

Liners & Liner Packing		
SIZES	LINER	LINER PACKING
4"	0148-40	G-0282
4½"	0148-44	G-0282
5"	0148-50	G-0282
5½"	0148-54	G-0282
6"	0148-60	G-0282
6¼"	0148-62	G-0282
6½"	0148-64	G-0282

Gaskets	
Valve Cover Gasket	Cylinder Head Gasket
G-0740	G-0282

SERIES	VALVE	SEAT	SPRING	URETHANE INSERT	PULLER HEAD
P-4 WEB	U5B-EH	6ADD-B6	5710-111	UDD-6AB	1700-6
P-4 WEB HIGH TEMP	U5B-EHHT	6ADD-B6	5710-111	UDD-6ABHT	1700-6
P-FULL OPEN	6FO-V1	6FO-S6	5710-115	6FO-SI	1700-6FO
P-G2	1560995	1561380	1560701	1560587	1700-6G2
P-ROUGHNECK	RN6-V1	RN6-S6	5710-110L	RN6-I	1700-6FO
P-SW FULL OPEN	773-1	873-2	951	973	1700-6SW
P-DOUBLE ANGLE	0500119	0520008	05139890	0515845	1700-6BA
P-PLATE TYPE	0505038	0520008	05139880	0504890	1700-6BA

Piston Size	Red Thunder Bonded Pistons	Imperial Piston	Imperial Rubber Kits	Rubber Bonded	Long Life (Urethane)
4"	KOD-400	I40HK14/15	I40HK	RB-400	LL-400
4½"	KOD-440	I44HK14/15	I44HK	RB-440	LL-440
5"	KOD-500	I50HB14/15	I50HB	RB-500	LL-500
5½"	KOD-540	I54HB14/15	I54HB	RB-540	LL-540
6"	KOD-600	I60HB14/15	I60HB	RB-600	LL-600
6½"	KOD-640	I64HL14/15	I64HL	RB-640	LL-640

* ¼ Size are available upon request

RODS					
	PISTON ROD	SUB ROD	EXTENSION ROD	ROD CLAMP	PISTON ROD NUT
PART NO.	0148	N/A	16-0148	24-0148	7403364

7½ x 12

FB-1300

Liners & Liner Packing		
SIZES	LINER	LINER PACKING
4"	2145-40	G-0800
4½"	2145-44	G-0800
5"	2145-50	G-0800
5½"	2145-54	G-0800
6"	2145-60	G-0800
6¼"	2145-62	G-0800
6½"	2145-64	G-0800
6¾"	2145-66	G-0800
7"	2145-70	G-0800
7½"	2145-74	G-0800

Gaskets	
Valve Cover Gasket	Cylinder Head Gasket
G-0741	G-0801

SERIES	VALVE	SEAT	SPRING	URETHANE INSERT	PULLER HEAD
P-4 WEB	U5C-EEF	7DD-B1	5710-115	UDD-7B	1700-7
P-4 WEB HIGH TEMP	U5C-EEFHT	7DD-B1	5710-115	UDD-7BHT	1700-7
P-FULL OPEN	7FO-V1	7FO-S1	5710-115L	7FO-SI	1700-7FO
P-G2	1560985	1561370	1560702	1560557	1700-7G2
P-3 WEB	202PZL482A	202PZL039	5710-115	201PZL106	1700-7R
P-ROUGHNECK	RN7-V1	RN7-S1	5710-115L	RN7-I	1700-7FO
P-SW FULL OPEN	777-7	877-7	951	977	1700-7SW
P-DOUBLE ANGLE	0500110	0509309	05139890	0514275	1700-7BA
P-PLATE TYPE	0505062	0509309	05139880	0504893	1700-7BA

Piston Size	Red Thunder Bonded Pistons	Imperial Piston	Imperial Rubber Kits	Rubber Bonded	Long Life (Urethane)
4"	KOD-400	I40HK14/15	I40HK	RB-400	LL-400
4½"	KOD-440	I44HK14/15	I44HK	RB-440	LL-440
5"	KOD-500	I50HB14/15	I50HB	RB-500	LL-500
5½"	KOD-540	I54HB14/15	I54HB	RB-540	LL-540
6"	KOD-600	I60HB14/15	I60HB	RB-600	LL-600
6½"	KOD-640	I64HL14/15	I64HL	RB-640	LL-640
7"	KOD-700	I70HL14/15	I70HL	RB-700	LL-700
7½"	N/A	I74HL14/15	I74HL	N/A	N/A

* ¼ Size are available upon request

RODS					
	PISTON ROD	SUB ROD	EXTENSION ROD	ROD CLAMP	PISTON ROD NUT
PART NO.	2145	N/A	16-0145	24-0145	7403364

EMSCO

7½ × 12

FB-1600

Liners & Liner Packing		
SIZES	LINER	LINER PACKING
4"	2145-40	G-0800
4½"	2145-44	G-0800
5"	2145-50	G-0800
5½"	2145-54	G-0800
6"	2145-60	G-0800
6¼"	2145-62	G-0800
6½"	2145-64	G-0800
6¾"	2145-66	G-0800
7"	2145-70	G-0800
7½"	2145-74	G-0800

Gaskets	
Valve Cover Gasket	Cylinder Head Gasket
G-0741	G-0801

SERIES	VALVE	SEAT	SPRING	URETHANE INSERT	PULLER HEAD
P-4 WEB	U5C-EEF	7DD-B1	5710-115	UDD-7B	1700-7
P-4 WEB HIGH TEMP	U5C-EEFHT	7DD-B1	5710-115	UDD-7BHT	1700-7
P-FULL OPEN	7FO-V1	7FO-S1	5710-115L	7FO-SI	1700-7FO
P-G2	1560985	1561370	1560702	1560557	1700-7G2
P-3 WEB	202PZL482A	202PZL039	5710-115	201PZL106	1700-7R
P-ROUGHNECK	RN7-V1	RN7-S1	5710-115L	RN7-I	1700-7FO
P-SW FULL OPEN	777-7	877-7	951	977	1700-7SW
P-DOUBLE ANGLE	0500110	0509309	05139890	0514275	1700-7BA
P-PLATE TYPE	0505062	0509309	05139880	0504893	1700-7BA

Piston Size	Red Thunder Bonded Pistons	Imperial Piston	Imperial Rubber Kits	Rubber Bonded	Long Life (Urethane)
4"	KOD-400	I40HK14/15	I40HK	RB-400	LL-400
4½"	KOD-440	I44HK14/15	I44HK	RB-440	LL-440
5"	KOD-500	I50HB14/15	I50HB	RB-500	LL-500
5½"	KOD-540	I54HB14/15	I54HB	RB-540	LL-540
6"	KOD-600	I60HB14/15	I60HB	RB-600	LL-600
6½"	KOD-640	I64HL14/15	I64HL	RB-640	LL-640
7"	KOD-700	I70HL14/15	I70HL	RB-700	LL-700
7½"	N/A	I74HL14/15	I74HL	N/A	N/A

* ¼ Size are available upon request

RODS					
	PISTON ROD	SUB ROD	EXTENSION ROD	ROD CLAMP	PISTON ROD NUT
PART NO.	2145	N/A	16-0145	24-0145	7403364

OPI

7 x 8

700HDL

Liners & Liner Packing		
SIZES	LINER	LINER PACKING
4"	0481-40	G-0753
4½"	0481-44	G-0754
5"	0481-50	G-0742
5½"	0481-54	G-0743
6"	0481-60	G-0745
6½"	0481-64	G-0746
7"	0481-70	G-0756

Gaskets	
Valve Cover Gasket	Cylinder Head Gasket
G-0745	G-0745

SERIES	VALVE	SEAT	SPRING	URETHANE INSERT	PULLER HEAD
P-4 WEB	U5B-EH	6ADD-B6	5710-115	UDD-6AB	1700-6
P-4 WEB HIGH TEMP	U5B-EHHT	6ADD-B6	5710-115	UDD-6ABHT	1700-6
P-FULL OPEN	6FO-V1	6FO-S6	5710-115	6FO-SI	1700-6FO
P-G2	1560995	1561380	1560701	1560587	1700-6G2
P-ROUGHNECK	RN6-V1	RN6-S6	5710-115	RN6-I	1700-6FO

Piston Size	Red Thunder Bonded Pistons	Imperial Piston	Imperial Rubber Kits	Rubber Bonded	Long Life (Urethane)
4½"	KOD-440	I44HK14/15	I44HK	RB-440	LL-440
5"	KOD-500	I50HB14/15	I50HB	RB-500	LL-500
5½"	KOD-540	I54HB14/15	I54HB	RB-540	LL-540
6"	KOD-600	I60HB14/15	I60HB	RB-600	LL-600
6½"	KOD-640	I64HL14/15	I64HL	RB-640	LL-640
7"	KOD-700	I70HL14/15	I70HL	RB-700	LL-700

* ¼ Size are available upon request

RODS						
	PISTON ROD	SUB ROD	EXTENSION ROD	EXTENSION ROD CLAMP	PISTON ROD CLAMP	PISTON ROD NUT
CLAMP TYPE	0482	0482-B	16-0481	24-0481	24-0482	7403364
THREAD TYPE	0481	0481-B	16-0481	N/A	N/A	7403364

GARDNER DENVER

5 x 8

PAH (All Models), PJ8A

Liners & Liner Packing			
SIZES	LINER (Small OD)	LINER PACKING	LINER (Large OD)
3"	0189-30	G-0266	
3½"	0189-34	G-0266	0193-34
4"	0189-40	G-0266	0193-40
4½"	0189-44	G-0266	0193-44
5"		G-0266	0193-50

Gaskets	
Valve Cover Gasket	Cylinder Head Gasket
G-0799	G-0799

SERIES	VALVE	SEAT	SPRING	URETHANE INSERT	PULLER HEAD
P-FULL OPEN	4DFO-V1	4FFO-S5	5710-033	4FFO-SI	1700-4FO
P-3 WEB	PJ482A	PJ451	5710-078	PJ452	1700-4GD

Piston Size	Red Thunder Bonded Pistons	Imperial Piston	Imperial Rubber Kits	Rubber Bonded	Long Life (Urethane)
3"	N/A		I30HA	N/A	N/A
3½"	N/A	I34HK14/15	I34HK	N/A	N/A
4"	KOD-400	I40HK14/15	I40HK	RB-400	LL-400
4½"	KOD-440	I44HK14/15	I44HK	RB-440	LL-440
5"	KOD-500	I50HB14/15	I50HB	RB-500	LL-500

* ¼ Size are available upon request

RODS					
	PISTON ROD	SUB ROD	EXTENSION ROD	ROD CLAMP	PISTON ROD NUT
CLAMP TYPE.	0193	N/A	16-0192	24-0191	7403364

GARDNER DENVER TEE, TGE

4 x 5

Liners & Liner Packing		
SIZES	LINER	LINER PACKING
3"	1190-30	G-0174
3½"	1190-34	G-0174
4"	1190-40	G-0174

Gaskets	
Valve Cover Gasket	Cylinder Head Gasket
25AL20	25AL20

	ABRASION RESISTANT
VALVE ASSEMBLY	209TEE482 (Includes Valve Body, Cage, Spring and Insert)
INSERT	ARI-10
SPRING	2116523
VALVE SEAT PULLER HEAD	1700-16SN

Piston Size	Red Thunder Bonded Pistons	Imperial Piston	Imperial Rubber Kits	Rubber Bonded	Long Life (Urethane)
3"	N/A	I30HA10	I30HA	N/A	N/A
3½"	N/A	I34HK10	I34HK	N/A	N/A
4"	KOD-400-10	I40HK10	I40HK	RB-400-10	LL-400-10

* ¼ Size are available upon request

RODS					
	PISTON ROD	SUB ROD	EXTENSION ROD	ROD CLAMP	PISTON ROD NUT
PART NO.	0204	N/A	300TEE839	201TAE092A	7403224



MUD PUMP EXPENDABLES TRIPLEX FLUID END PARTS

GARDNER DENVER

7 x 7

PZ-GA & GB

PZ-7

Liners & Liner Packing		
SIZES	LINER	LINER PACKING
4"	1192-40	G-0692
4½"	1192-44	G-0692
5"	1192-50	G-0692
5½"	1192-54	G-0692
6"	1192-60	G-0692
6¼"	1192-62	G-0692
6½"	1192-64	G-0692
6¾"	1192-66	G-0692
7"	1192-70	G-0692

Gaskets	
Valve Cover Gasket	Cylinder Head Gasket
G-0749	G-0749

SERIES	VALVE	SEAT	SPRING	URETHANE INSERT	PULLER HEAD
P-4 WEB	U5C-EEF	7DD-B1	5710-110	UDD-7B	1700-7
P-4 WEB HIGH TEMP	U5C-EEFHT	7DD-B1	5710-110	UDD-7BHT	1700-7
P-FULL OPEN	7FO-V1	7FO-S1	5710-115L	7FO-SI	1700-7FO
P-G2	1560985	1561370	1560702	1560557	1700-7G2
P-3 WEB	202PZL482A	202PZL039	5710-110	201PZL106	1700-7R
P-ROUGHNECK	RN7-V1	RN7-S1	5710-110L	RN7-I	1700-7FO
P-SW FULL OPEN	777-7	877-7	951	977	1700-7SW
P-DOUBLE ANGLE	0500110	0509309	05147900	0514275	1700-7BA
P-PLATE TYPE	0505062	0509309	05144230	0504893	1700-7BA

Piston Size	Red Thunder Bonded Pistons	Imperial Piston	Imperial Rubber Kits	Rubber Bonded	Long Life (Urethane)
4"	KOD-400	I40HK14/15	I40HB	RB-400	LL-400
4½"	KOD-440	I44HK14/15	I44HB	RB-440	LL-440
5"	KOD-500	I50HB14/15	I50HB	RB-500	LL-500
5½"	KOD-540	I54HB14/15	I54HB	RB-540	LL-540
6"	KOD-600	I60HB14/15	I60HB	RB-600	LL-600
6½"	KOD-640	I64HL14/15	I64HL	RB-640	LL-640
7"	KOD-700	I70HL14/15	I70HL	RB-700	LL-700

* ¼ Size are available upon request

RODS					
	PISTON ROD	SUB ROD	EXTENSION ROD	ROD CLAMP	PISTON ROD NUT
CLAMP TYPE	0205	N/A	16-0205	24-0191	7403364
THREAD TYPE	0196	N/A	16-0196	N/A	7403364



MUD PUMP EXPENDABLES TRIPLEX FLUID END PARTS

GARDNER DENVER

7 x 8

PZ-H-E,VE

PZ-8

Liners & Liner Packing		
SIZES	LINER	LINER PACKING
4"	1191-40	G-0692
4½"	1191-44	G-0692
5"	1191-50	G-0692
5½"	1191-54	G-0692
6"	1191-60	G-0692
6¼"	1191-62	G-0692
6½"	1191-64	G-0692
6¾"	1191-66	G-0692
7"	1191-70	G-0692

Gaskets	
Valve Cover Gasket	Cylinder Head Gasket
G-0749	G-0749

SERIES	VALVE	SEAT	SPRING	URETHANE INSERT	PULLER HEAD
P-4 WEB	U5C-EEF	7DD-B1	5710-110	UDD-7B	1700-7
P-4 WEB HIGH TEMP	U5C-EEFHT	7DD-B1	5710-110	UDD-7BHT	1700-7
P-FULL OPEN	7FO-V1	7FO-S1	5710-115L	7FO-SI	1700-7FO
P-G2	1560985	1561370	1560702	1560557	1700-7G2
P-3 WEB	202PZL482A	202PZL039	5710-110	201PZL106	1700-7R
P-ROUGHNECK	RN7-V1	RN7-S1	5710-110L	RN7-I	1700-7FO
P-SW FULL OPEN	777-7	877-7	951	977	1700-7SW
P-DOUBLE ANGLE	0500110	0509309	05147900	0514275	1700-7BA
P-PLATE TYPE	0505062	0509309	05144230	0504893	1700-7BA

Piston Size	Red Thunder Bonded Pistons	Imperial Piston	Imperial Rubber Kits	Rubber Bonded	Long Life (Urethane)
4"	KOD-400	I40HK14/15	I40HK	RB-400	LL-400
4½"	KOD-440	I44HK14/15	I44HK	RB-440	LL-440
5"	KOD-500	I50HB14/15	I50HB	RB-500	LL-500
5½"	KOD-540	I54HB14/15	I54HB	RB-540	LL-540
6"	KOD-600	I60HB14/15	I60HB	RB-600	LL-600
6½"	KOD-640	I64HL14/15	I64HL	RB-640	LL-640
7"	KOD-700	I70HL14/15	I70HL	RB-700	LL-700

* ¼ Size are available upon request

RODS					
	PISTON ROD	SUB ROD	EXTENSION ROD	ROD CLAMP	PISTON ROD NUT
CLAMP TYPE	0191	N/A	16-0192	24-0191	7403364
THREAD TYPE	0202	N/A	16-0196	N/A	7403364



MUD PUMP EXPENDABLES TRIPLEX FLUID END PARTS

GARDNER DENVER

7 x 9

PZ-GA & GB

PZ-9

Liners & Liner Packing		
SIZES	LINER	LINER PACKING
4"	1191-40	G-0692
4½"	1191-44	G-0692
5"	1191-50	G-0692
5½"	1191-54	G-0692
6"	1191-60	G-0692
6¼"	1191-62	G-0692
6½"	1191-64	G-0692
6¾"	1191-66	G-0692
7"	1191-70	G-0692

Gaskets	
Valve Cover Gasket	Cylinder Head Gasket
G-0749	G-0749

SERIES	VALVE	SEAT	SPRING	URETHANE INSERT	PULLER HEAD
P-4 WEB	U5C-EEF	7DD-B1	5710-110	UDD-7B	1700-7
P-4 WEB HIGH TEMP	U5C-EEFHT	7DD-B1	5710-110	UDD-7BHT	1700-7
P-FULL OPEN	7FO-V1	7FO-S1	5710-115L	7FO-SI	1700-7FO
P-G2	1560985	1561370	1560702	1560557	1700-7G2
P-3 WEB	202PZL482A	202PZL039	5710-110	201PZL106	1700-7R
P-ROUGHNECK	RN7-V1	RN7-S1	5710-110L	RN7-I	1700-7FO
P-SW FULL OPEN	777-7	877-7	951	977	1700-7SW
P-DOUBLE ANGLE	0500110	0509309	05147900	0514275	1700-7BA
P-PLATE TYPE	0505062	0509309	05144230	0504893	1700-7BA

Piston Size	Red Thunder Bonded Pistons	Imperial Piston	Imperial Rubber Kits	Rubber Bonded	Long Life (Urethane)
4"	KOD-400	I40HK14/15	I40HK	RB-400	LL-400
4½"	KOD-440	I44HK14/15	I44HK	RB-440	LL-440
5"	KOD-500	I50HB14/15	I50HB	RB-500	LL-500
5½"	KOD-540	I54HB14/15	I54HB	RB-540	LL-540
6"	KOD-600	I60HB14/15	I60HB	RB-600	LL-600
6½"	KOD-640	I64HL14/15	I64HL	RB-640	LL-640
7"	KOD-700	I70HL14/15	I70HL	RB-700	LL-700

* ¼ Size are available upon request

RODS					
	PISTON ROD	SUB ROD	EXTENSION ROD	ROD CLAMP	PISTON ROD NUT
CLAMP TYPE	0191	N/A	16-0191	24-0191	7403364
THREAD TYPE	0202	N/A	16-0201	N/A	7403364



MUD PUMP EXPENDABLES TRIPLEX FLUID END PARTS

GARDNER DENVER

7 × 10

PZL

PZ-10

Liners & Liner Packing		
SIZES	LINER	LINER PACKING
4"	0197-40	G-0692
4½"	0197-44	G-0692
5"	0197-50	G-0692
5½"	0197-54	G-0692
6"	0197-60	G-0692
6¼"	0197-62	G-0692
6½"	0197-64	G-0692
6¾"	0197-66	G-0692
7"	0197-70	G-0692

Gaskets	
Valve Cover Gasket	Cylinder Head Gasket
G-0780	G-0780

SERIES	VALVE	SEAT	SPRING	URETHANE INSERT	PULLER HEAD
P-4 WEB	U5C-EEF	7DD-B1	5710-110	UDD-7B	1700-7
P-4 WEB HIGH TEMP	U5C-EEFHT	7DD-B1	5710-110	UDD-7BHT	1700-7
P-FULL OPEN	7FO-V1	7FO-S1	5710-115L	7FO-SI	1700-7FO
P-G2	1560985	1561370	1560702	1560557	1700-7G2
P-3 WEB	202PZL482A	202PZL039	5710-110	201PZL106	1700-7R
P-ROUGHNECK	RN7-V1	RN7-S1	5710-110L	RN7-I	1700-7FO
P-SW FULL OPEN	777-7	877-7	951	977	1700-7SW
P-DOUBLE ANGLE	0500110	0509309	05147900	0514275	1700-7BA
P-PLATE TYPE	0505062	0509309	05144230	0504893	1700-7BA

Piston Size	Red Thunder Bonded Pistons	Imperial Piston	Imperial Rubber Kits	Rubber Bonded	Long Life (Urethane)
4"	KOD-400	I40HK14/15	I40HK	RB-400	LL-400
4½"	KOD-440	I44HK14/15	I44HK	RB-440	LL-440
5"	KOD-500	I50HB14/15	I50HB	RB-500	LL-500
5½"	KOD-540	I54HB14/15	I54HB	RB-540	LL-540
6"	KOD-600	I60HB14/15	I60HB	RB-600	LL-600
6½"	KOD-640	I64HL14/15	I64HL	RB-640	LL-640
7"	KOD-700	I70HL14/15	I70HL	RB-700	LL-700

* ¼ Size are available upon request

RODS					
	PISTON ROD	SUB ROD	EXTENSION ROD	ROD CLAMP	PISTON ROD NUT
CLAMP TYPE	0200	N/A	16-0200	24-0200	7403364
THREAD TYPE	0201	N/A	16-0201	N/A	7403364



MUD PUMP EXPENDABLES TRIPLEX FLUID END PARTS

GARDNER DENVER

7 × 11

PZL

PZ-11

Liners & Liner Packing		
SIZES	LINER	LINER PACKING
4"	0197-40	G-0692
4½"	0197-44	G-0692
5"	0197-50	G-0692
5½"	0197-54	G-0692
6"	0197-60	G-0692
6¼"	0197-62	G-0692
6½"	0197-64	G-0692
6¾"	0197-66	G-0692
7"	0197-70	G-0692

Gaskets	
Valve Cover Gasket	Cylinder Head Gasket
G-0780	G-0780

SERIES	VALVE	SEAT	SPRING	URETHANE INSERT	PULLER HEAD
P-4 WEB	U5C-EEF	7DD-B1	5710-110	UDD-7B	1700-7
P-4 WEB HIGH TEMP	U5C-EEFHT	7DD-B1	5710-110	UDD-7BHT	1700-7
P-FULL OPEN	7FO-V1	7FO-S1	5710-115L	7FO-SI	1700-7FO
P-G2	1560985	1561370	1560702	1560557	1700-7G2
P-3 WEB	202PZL482A	202PZL039	5710-110	201PZL106	1700-7R
P-ROUGHNECK	RN7-V1	RN7-S1	5710-110L	RN7-I	1700-7FO
P-SW FULL OPEN	777-7	877-7	951	977	1700-7SW
P-DOUBLE ANGLE	500110	509309	5147900	514275	1700-7BA
P-PLATE TYPE	505062	509309	5144230	504893	1700-7BA

Piston Size	Red Thunder Bonded Pistons	Imperial Piston	Imperial Rubber Kits	Rubber Bonded	Long Life (Urethane)
4"	KOD-400	I40HK14/15	I40HK	RB-400	LL-400
4½"	KOD-440	I44HK14/15	I44HK	RB-440	LL-440
5"	KOD-500	I50HB14/15	I50HB	RB-500	LL-500
5½"	KOD-540	I54HB14/15	I54HB	RB-540	LL-540
6"	KOD-600	I60HB14/15	I60HB	RB-600	LL-600
6½"	KOD-640	I64HL14/15	I64HL	RB-640	LL-640
7"	KOD-700	I70HL14/15	I70HL	RB-700	LL-700

* ¼ Size are available upon request

RODS					
	PISTON ROD	SUB ROD	EXTENSION ROD	ROD CLAMP	PISTON ROD NUT
CLAMP TYPE	200	N/A	16-0200	24-0200	7403364
THREAD TYPE	201	N/A	16-0201	N/A	7403364



MUD PUMP EXPENDABLES TRIPLEX FLUID END PARTS

IDECO

7 × 8

T-500

Liners & Liner Packing		
SIZES	LINER	LINER PACKING
4"	0234-40	MKG-0783
4½"	0234-44	MKG-0783
5"	0234-50	MKG-0783
5½"	0234-54	MKG-0783
6"	0234-60	MKG-0783
6¼"	0234-62	MKG-0783
6½"	0234-64	MKG-0783
6¾"	0234-66	MKG-0783
7"	0234-70	MKG-0783

Gaskets	
Valve Cover Gasket	Cylinder Head Gasket
G-0783	G-0783

SERIES	VALVE	SEAT	SPRING	URETHANE INSERT	PULLER HEAD
P-4 WEB	U5B-EH	6ADD-B6	5710-115	UDD-6AB	1700-6
P-4 WEB HIGH TEMP	U5B-EHHT	6ADD-B6	5710-115	UDD-6ABHT	1700-6
P-FULL OPEN	6FO-V1	6FO-S6	5710-115L	6FO-SI	1700-6FO
P-G2	1560995	1561380	1560701	1560587	1700-6G2
P-ROUGHNECK	RN6-V1	RN6-S6	5710-115L	RN6-I	1700-6FO
P-SW FULL OPEN	773-1	873-2	950	973	1700-6SW
P-DOUBLE ANGLE	0500119	0520008	05147900	0515845	1700-6BA
P-PLATE TYPE	0505038	0520008	05144230	0504890	1700-6BA

Piston Size	Red Thunder Bonded Pistons	Imperial Piston	Imperial Rubber Kits	Rubber Bonded	Long Life (Urethane)
4"	KOD-400	I40HK14/15	I40HK	RB-400	LL-400
4½"	KOD-440	I44HK14/15	I44HK	RB-440	LL-440
5"	KOD-500	I50HB14/15	I50HB	RB-500	LL-500
5½"	KOD-540	I54HB14/15	I54HB	RB-540	LL-540
6"	KOD-600	I60HB14/15	I60HB	RB-600	LL-600
6½"	KOD-640	I64HL14/15	I64HL	RB-640	LL-640
7"	KOD-700	I70HL14/15	I70HL	RB-700	LL-700

* ¼ Size are available upon request

RODS					
	PISTON ROD	SUB ROD	EXTENSION ROD	ROD CLAMP	PISTON ROD NUT
PART NO	0237	N/A	16-0237	24-0237	7403364



MUD PUMP EXPENDABLES TRIPLEX FLUID END PARTS

IDECO

7 x 9

T-800

Liners & Liner Packing		
SIZES	LINER	LINER PACKING
4"	0230-40	G-0783
4½"	0230-44	G-0783
5"	0230-50	G-0783
5½"	0230-54	G-0783
6"	0230-60	G-0783
6¼"	0230-62	G-0783
6½"	0230-64	G-0783
6¾"	0230-66	G-0783
7"	0230-70	G-0783

Gaskets	
Valve Cover Gasket	Cylinder Head Gasket
G-0783	G-0783

SERIES	VALVE	SEAT	SPRING	URETHANE INSERT	PULLER HEAD
P-4 WEB	U5B-EH	6ADD-B6	5710-115	UDD-6AB	1700-6
P-4 WEB HIGH TEMP	U5B-EHHT	6ADD-B6	5710-115	UDD-6ABHT	1700-6
P-FULL OPEN	6FO-V1	6FO-S6	5710-115L	6FO-SI	1700-6FO
P-G2	1560995	1561380	1560701	1560587	1700-6G2
P-ROUGHNECK	RN6-V1	RN6-S6	5710-115L	RN6-I	1700-6FO
P-SW FULL OPEN	773-1	873-2	950	973	1700-6SW
P-DOUBLE ANGLE	0500119	0520008	05147900	0515845	1700-6BA
P-PLATE TYPE	0505038	0520008	05144230	0504890	1700-6BA

Piston Size	Red Thunder Bonded Pistons	Imperial Piston	Imperial Rubber Kits	Rubber Bonded	Long Life (Urethane)
4"	KOD-400	I40HK14/15	I40HK	RB-400	LL-400
4½"	KOD-440	I44HK14/15	I44HK	RB-440	LL-440
5"	KOD-500	I50HB14/15	I50HB	RB-500	LL-500
5½"	KOD-540	I54HB14/15	I54HB	RB-540	LL-540
6"	KOD-600	I60HB14/15	I60HB	RB-600	LL-600
6½"	KOD-640	I64HL14/15	I64HL	RB-640	LL-640
7"	KOD-700	I70HL14/15	I70HL	RB-700	LL-700

* ¼ Size are available upon request

RODS					
	PISTON ROD	SUB ROD	EXTENSION ROD	ROD CLAMP	PISTON ROD NUT
PART NO	0230	N/A	16-0230	24-0230	7403364



MUD PUMP EXPENDABLES TRIPLEX FLUID END PARTS

IDECO

7 x 10

T-1000

Liners & Liner Packing		
SIZES	LINER	LINER PACKING
4"	0230-40	G-0783
4½"	0230-44	G-0783
5"	0230-50	G-0783
5½"	0230-54	G-0783
6"	0230-60	G-0783
6¼"	0230-62	G-0783
6½"	0230-64	G-0783
6¾"	0230-66	G-0783
7"	0230-70	G-0783

Gaskets	
Valve Cover Gasket	Cylinder Head Gasket
G-0783	G-0783

SERIES	VALVE	SEAT	SPRING	URETHANE INSERT	PULLER HEAD
P-4 WEB	U5B-EH	6ADD-B6	5710-115	UDD-6AB	1700-6
P-4 WEB HIGH TEMP	U5B-EHHT	6ADD-B6	5710-115	UDD-6ABHT	1700-6
P-FULL OPEN	6FO-V1	6FO-S6	5710-115L	6FO-SI	1700-6FO
P-G2	1560995	1561380	1560701	1560587	1700-6G2
P-ROUGHNECK	RN6-V1	RN6-S6	5710-115L	RN6-I	1700-6FO
P-SW FULL OPEN	773-1	873-2	950	973	1700-6SW
P-DOUBLE ANGLE	0500119	0520008	05147900	0515845	1700-6BA
P-PLATE TYPE	0505038	0520008	05144230	0504890	1700-6BA

Piston Size	Red Thunder Bonded Pistons	Imperial Piston	Imperial Rubber Kits	Rubber Bonded	Long Life (Urethane)
4"	KOD-400	I40HK14/15	I40HK	RB-400	LL-400
4½"	KOD-440	I44HK14/15	I44HK	RB-440	LL-440
5"	KOD-500	I50HB14/15	I50HB	RB-500	LL-500
5½"	KOD-540	I54HB14/15	I54HB	RB-540	LL-540
6"	KOD-600	I60HB14/15	I60HB	RB-600	LL-600
6½"	KOD-640	I64HL14/15	I64HL	RB-640	LL-640
7"	KOD-700	I70HL14/15	I70HL	RB-700	LL-700

* ¼ Size are available upon request

RODS					
	PISTON ROD	SUB ROD	EXTENSION ROD	ROD CLAMP	PISTON ROD NUT
PART NO.	0230	N/A	16-0231	24-0230	7403364



MUD PUMP EXPENDABLES TRIPLEX FLUID END PARTS

IDECO

7½ × 12

T-1300

Liners & Liner Packing		
SIZES	LINER	LINER PACKING
4"	0233-40	G-0782
4½"	0233-44	G-0782
5"	0233-50	G-0782
5½"	0233-54	G-0782
6"	0233-60	G-0782
6¼"	0233-62	G-0782
6½"	0233-64	G-0782
6¾"	0233-66	G-0782
7"	0233-70	G-0782
7½"	0233-74	G-0782

Gaskets	
Valve Cover Gasket	Cylinder Head Gasket
G-0782	G-0782

SERIES	VALVE	SEAT	SPRING	URETHANE INSERT	PULLER HEAD
P-4 WEB	U5C-EEF	7DD-B1	5710-115	UDD-7B	1700-7
P-4 WEB HIGH TEMP	U5C-EEFHT	7DD-B1	5710-115	UDD-7BHT	1700-7
P-FULL OPEN	7FO-V1	7FO-S1	5710-115L	7FO-SI	1700-7FO
P-G2	1560985	1561370	1560702	1560557	1700-7G2
P-3 WEB	202PZL482A	202PZL039	5710-115	201PZL106	1700-7R
P-ROUGHNECK	RN7-V1	RN7-S1	5710-115L	RN7-I	1700-7FO
P-SW FULL OPEN	777-7	877-7	951	977	1700-7SW
P-DOUBLE ANGLE	0500110	0509309	05147900	0514275	1700-7BA

Piston Size	Red Thunder Bonded Pistons	Imperial Piston	Imperial Rubber Kits	Rubber Bonded	Long Life (Urethane)
4"	KOD-400	I40HK14/15	I40HK	RB-400	LL-400
4½"	KOD-440	I44HK14/15	I44HK	RB-440	LL-440
5"	KOD-500	I50HB14/15	I50HB	RB-500	LL-500
5½"	KOD-540	I54HB14/15	I54HB	RB-540	LL-540
6"	KOD-600	I60HB14/15	I60HB	RB-600	LL-600
6½"	KOD-640	I64HL14/15	I64HL	RB-640	LL-640
7"	KOD-700	I70HL14/15	I70HL	RB-700	LL-700
7½"	N/A	I74HL14/15	I74HL	RB-740	LL-740

* ¼ Size are available upon request

RODS					
	PISTON ROD	SUB ROD	EXTENSION ROD	ROD CLAMP	PISTON ROD NUT
PART NO.	0233	N/A	16-0233	24-0233	7403364



MUD PUMP EXPENDABLES TRIPLEX FLUID END PARTS

IDECO

7½ × 12

T-1600

Liners & Liner Packing		
SIZES	LINER	LINER PACKING
4"	0233-40	G-0782
4½"	0233-44	G-0782
5"	0233-50	G-0782
5½"	0233-54	G-0782
6"	0233-60	G-0782
6¼"	0233-62	G-0782
6½"	0233-64	G-0782
6¾"	0233-66	G-0782
7"	0233-70	G-0782
7½"	0233-74	G-0782

Gaskets	
Valve Cover Gasket	Cylinder Head Gasket
G-0782	G-0782

SERIES	VALVE	SEAT	SPRING	URETHANE INSERT	PULLER HEAD
P-4 WEB	U5C-EEF	7DD-B1	5710-115	UDD-7B	1700-7
P-4 WEB HIGH TEMP	U5C-EEFHT	7DD-B1	5710-115	UDD-7BHT	1700-7
P-FULL OPEN	7FO-V1	7FO-S1	5710-115L	7FO-SI	1700-7FO
P-G2	1560985	1561370	1560702	1560557	1700-7G2
P-3 WEB	202PZL482A	202PZL039	5710-115	201PZL106	1700-7R
P-ROUGHNECK	RN7-V1	RN7-S1	5710-115L	RN7-I	1700-7FO
P-SW FULL OPEN	777-7	877-7	951	977	1700-7SW
P-DOUBLE ANGLE	0500110	0509309	05147900	0514275	1700-7BA
P-PLATE TYPE	0505062	0509309	05144230	0504893	1700-7BA

Piston Size	Red Thunder Bonded Pistons	Imperial Piston	Imperial Rubber Kits	Rubber Bonded	Long Life (Urethane)
4"	KOD-400	I40HK14/15	I40HK	RB-400	LL-400
4½"	KOD-440	I44HK14/15	I44HK	RB-440	LL-440
5"	KOD-500	I50HB14/15	I50HB	RB-500	LL-500
5½"	KOD-540	I54HB14/15	I54HB	RB-540	LL-540
6"	KOD-600	I60HB14/15	I60HB	RB-600	LL-600
6½"	KOD-640	I64HL14/15	I64HL	RB-640	LL-640
7"	KOD-700	I70HL14/15	I70HL	RB-700	LL-700
7½"	N/A	I74HL14/15	I74HL	RB-740	LL-740

* ¼ Size are available upon request

RODS					
	PISTON ROD	SUB ROD	EXTENSION ROD	ROD CLAMP	PISTON ROD NUT
PART NO.	233	N/A	16-0233	24-0233	7403364



MUD PUMP EXPENDABLES TRIPLEX FLUID END PARTS

OILWELL

7 x 8

A-560-PT

Liners & Liner Packing		
SIZES	LINER	LINER PACKING
4"	0287-40	G-0753
4½"	0287-44	G-0754
5"	0287-50	G-0742
5½"	0287-54	G-0743
6"	0287-60	G-0745
6¼"	0287-62	G-0770
6½"	0287-64	G-0746
6¾"	0287-66	G-0755
7"	0287-70	G-0756

Gaskets	
Valve Cover Gasket	Cylinder Head Gasket
G-0732	N/A

SERIES	VALVE	SEAT	SPRING	URETHANE INSERT	PULLER HEAD
P-4 WEB	U5B-EH	6ADD-B6	5710-115	UDD-6AB	1700-6
P-4 WEB HIGH TEMP	U5B-EHHT	6ADD-B6	5710-115	UDD-6ABHT	1700-6
P-FULL OPEN	6FO-V1	6FO-S6	5710-115L	6FO-SI	1700-6FO
P-G2	1560995	1561380	1560701	1560587	1700-6G2
P-ROUGHNECK	RN6-V1	RN6-S6	5710-115L	RN6-I	1700-6FO

Piston Size	Red Thunder Bonded Pistons	Imperial Piston	Imperial Rubber Kits	Rubber Bonded	Long Life (Urethane)
4"	KOD-400	I40HK14/15	I40HK	RB-400	LL-400
4½"	KOD-440	I44HK14/15	I44HK	RB-440	LL-440
5"	KOD-500	I50HB14/15	I50HB	RB-500	LL-500
5½"	KOD-540	I54HB14/15	I54HB	RB-540	LL-540
6"	KOD-600	I60HB14/15	I60HB	RB-600	LL-600
6½"	KOD-640	I64HL14/15	I64HL	RB-640	LL-640
7"	KOD-700	I70HL14/15	I70HL	RB-700	LL-700

* ¼ Size are available upon request

RODS						
	PISTON ROD	SUB ROD	CONNECTING ROD	EXTENSION ROD	ROD CLAMP	PISTON ROD NUT
PART NO.	0283-C	0283-A	0283-D	16-0283	24-0283	7403364



MUD PUMP EXPENDABLES TRIPLEX FLUID END PARTS

OILWELL

7 x 8

A-350/600-PT

Liners & Liner Packing		
SIZES	LINER	LINER PACKING
4"	0287-40	G-0753
4½"	0287-44	G-0754
5"	0287-50	G-0742
5½"	0287-54	G-0743
6"	0287-60	G-0745
6¼"	0287-62	G-0770
6½"	0287-64	G-0746
6¾"	0287-66	G-0755
7"	0287-70	G-0756

Gaskets	
Valve Cover Gasket	Cylinder Head Gasket
G-0732	N/A

SERIES	VALVE	SEAT	SPRING	URETHANE INSERT	PULLER HEAD
P-4 WEB	U5B-EH	6ADD-B6	5710-111	UDD-6AB	1700-6
P-4 WEB HIGH TEMP	U5B-EHHT	6ADD-B6	5710-111	UDD-6ABHT	1700-6
P-FULL OPEN	6FO-V1	6FO-S6	5710-115	6FO-SI	1700-6FO
P-G2	1560995	1561380	1560701	1560587	1700-6G2
P-ROUGHNECK	RN6-V1	RN6-S6	5710-111	RN6-I	1700-6FO

Piston Size	Red Thunder Bonded Pistons	Imperial Piston	Imperial Rubber Kits	Rubber Bonded	Long Life (Urethane)
4"	KOD-400	I40HK14/15	I40HK	RB-400	LL-400
4½"	KOD-440	I44HK14/15	I44HK	RB-440	LL-440
5"	KOD-500	I50HB14/15	I50HB	RB-500	LL-500
5½"	KOD-540	I54HB14/15	I54HB	RB-540	LL-540
6"	KOD-600	I60HB14/15	I60HB	RB-600	LL-600
6½"	KOD-640	I64HL14/15	I64HL	RB-640	LL-640
7"	KOD-700	I70HL14/15	I70HL	RB-700	LL-700

* ¼ Size are available upon request

RODS						
	PISTON ROD	SUB ROD	CONNECTING ROD	EXTENSION ROD	ROD CLAMP	PISTON ROD NUT
PART NO.	0283-C	0283-B	0283-D	16-0282	24-0284	7403364



MUD PUMP EXPENDABLES TRIPLEX FLUID END PARTS

OILWELL

7 x 8

A-850-PT

Liners & Liner Packing		
SIZES	LINER	LINER PACKING
4"	0289-40	G-0753
4½"	0289-44	G-0754
5"	0289-50	G-0742
5½"	0289-54	G-0743
6"	0289-60	G-0745
6¼"	0289-62	G-0770
6½"	0289-64	G-0746
6¾"	0289-66	G-0755
7"	0289-70	G-0756
7¼"	0289-72	G-0757
7½"	0289-74	G-0758

Gaskets	
Valve Cover Gasket	Cylinder Head Gasket
G-0760	N/A

*Also available in small OD, 0285-XX

SERIES	VALVE	SEAT	SPRING	URETHANE INSERT	PULLER HEAD
P-4 WEB	U5C-EEF	7DD-B1	5710-110	UDD-7B	1700-7
P-4 WEB HIGH TEMP	U5C-EEFHT	7DD-B1	5710-110	UDD-7BHT	1700-7
P-FULL OPEN	7FO-V1	7FO-S1	5710-115L	7FO-SI	1700-7FO
P-G2	1560985	1561370	1560702	1560557	1700-7G2
P-3 WEB	202PZL482A	202PZL039	5710-110	201PZL106	1700-7R
P-ROUGHNECK	RN7-V1	RN7-S1	5710-110L	RN7-I	1700-7FO
P-SW FULL OPEN	777-7	877-7	951	977	1700-7SW
P-DOUBLE ANGLE	0500110	0509309	05147900	0514275	1700-7BA
P-PLATE TYPE	0505062	0509309	05144230	0504893	1700-7BA

Piston Size	Red Thunder Bonded Pistons	Imperial Piston	Imperial Rubber Kits	Rubber Bonded	Long Life (Urethane)
4"	KOD-400	I40HK14/15	I40HK	RB-400	LL-400
4½"	KOD-440	I44HK14/15	I44HK	RB-440	LL-440
5"	KOD-500	I50HB14/15	I50HB	RB-500	LL-500
5½"	KOD-540	I54HB14/15	I54HB	RB-540	LL-540
6"	KOD-600	I60HB14/15	I60HB	RB-600	LL-600
6½"	KOD-640	I64HL14/15	I64HL	RB-640	LL-640
7"	KOD-700	I70HL14/15	I70HL	RB-700	LL-700
7½"	N/A	I74HL14/15	I74HL	N/A	N/A

* ¼ Size are available upon request

RODS						
PART NO.	PISTON ROD	SUB ROD	CONNECTING ROD	EXTENSION ROD	ROD CLAMP	PISTON ROD NUT
	0283-C	0283-A	0283-D	16-0284	24-0284	7403364



MUD PUMP EXPENDABLES TRIPLEX FLUID END PARTS

OILWELL

7½ × 10

A-1100-PT

Liners & Liner Packing		
SIZES	LINER	LINER PACKING
4"	0289-40	G-0753
4½"	0289-44	G-0754
5"	0289-50	G-0742
5½"	0289-54	G-0743
6"	0289-60	G-0745
6¼"	0289-62	G-0770
6½"	0289-64	G-0746
6¾"	0289-66	G-0755
7"	0289-70	G-0756
7¼"	0289-72	G-0757
7½"	0289-74	G-0758

Gaskets	
Valve Cover Gasket	Cylinder Head Gasket
G-0760	N/A

*Also available in small OD, 0285-XX

SERIES	VALVE	SEAT	SPRING	URETHANE INSERT	PULLER HEAD
P-4 WEB	U5C-EEF	7DD-B1	5710-110	UDD-7B	1700-7
P-4 WEB HIGH TEMP	U5C-EEFHT	7DD-B1	5710-110	UDD-7BHT	1700-7
P-FULL OPEN	7FO-V1	7FO-S1	5710-115L	7FO-SI	1700-7FO
P-G2	1560985	1561370	1560702	1560557	1700-7G2
P-3 WEB	202PZL482A	202PZL039	5710-110	201PZL106	1700-7R
P-ROUGHNECK	RN7-V1	RN7-S1	5710-110L	RN7-I	1700-7FO
P-SW FULL OPEN	777-7	877-7	951	977	1700-7SW
P-DOUBLE ANGLE	0500110	0509309	05147900	0514275	1700-7BA
P-PLATE TYPE	0505062	0509309	05144230	0504893	1700-7BA

Piston Size	Red Thunder Bonded Pistons	Imperial Piston	Imperial Rubber Kits	Rubber Bonded	Long Life (Urethane)
4"	KOD-400	I40HK14/15	I40HK	RB-400	LL-400
4½"	KOD-440	I44HK14/15	I44HK	RB-440	LL-440
5"	KOD-500	I50HB14/15	I50HB	RB-500	LL-500
5½"	KOD-540	I54HB14/15	I54HB	RB-540	LL-540
6"	KOD-600	I60HB14/15	I60HB	RB-600	LL-600
6½"	KOD-640	I64HL14/15	I64HL	RB-640	LL-640
7"	KOD-700	I70HL14/15	I70HL	RB-700	LL-700
7½"	N/A	I74HL14/15	I74HL	N/A	N/A

* ¼ Size are available upon request

RODS						
PART NO.	PISTON ROD	SUB ROD	CONNECTING ROD	EXTENSION ROD	ROD CLAMP	PISTON ROD NUT
	0283-C	0283-A	0283-D	16-0284	24-0284	7403364



MUD PUMP EXPENDABLES TRIPLEX FLUID END PARTS

OILWELL

7½ × 10

A-1400-PT

Liners & Liner Packing		
SIZES	LINER	LINER PACKING
4"	0284-40	G-0753
4½"	0284-44	G-0754
5"	0284-50	G-0742
5½"	0284-54	G-0743
6"	0284-60	G-0745
6¼"	0284-62	G-0770
6½"	0284-64	G-0746
6¾"	0284-66	G-0755
7"	0284-70	G-0756
7¼"	0284-72	G-0757
7½"	0284-74	G-0758

Gaskets	
Valve Cover Gasket	Cylinder Head Gasket
G-0760	N/A

*Also available in small OD, 0283-XX

SERIES	VALVE	SEAT	SPRING	URETHANE INSERT	PULLER HEAD
P-4 WEB	U5C-EEF	7DD-B1	5710-110	UDD-7B	1700-7
P-4 WEB HIGH TEMP	U5C-EEFHT	7DD-B1	5710-110	UDD-7BHT	1700-7
P-FULL OPEN	7FO-V1	7FO-S1	5710-115L	7FO-SI	1700-7FO
P-G2	1560985	1561370	1560702	1560557	1700-7G2
P-3 WEB	202PZL482A	202PZL039	5710-110	201PZL106	1700-7R
P-ROUGHNECK	RN7-V1	RN7-S1	5710-110L	RN7-I	1700-7FO
P-SW FULL OPEN	777-7	877-7	951	977	1700-7SW
P-DOUBLE ANGLE	0500110	0509309	05147900	0514275	1700-7BA
P-PLATE TYPE	0505062	0509309	05144230	0504893	1700-7BA

Piston Size	Red Thunder Bonded Pistons	Imperial Piston	Imperial Rubber Kits	Rubber Bonded	Long Life (Urethane)
4"	KOD-400	I40HK14/15	I40HK	RB-400	LL-400
4½"	KOD-440	I44HK14/15	I44HK	RB-440	LL-440
5"	KOD-500	I50HB14/15	I50HB	RB-500	LL-500
5½"	KOD-540	I54HB14/15	I54HB	RB-540	LL-540
6"	KOD-600	I60HB14/15	I60HB	RB-600	LL-600
6½"	KOD-640	I64HL14/15	I64HL	RB-640	LL-640
7"	KOD-700	I70HL14/15	I70HL	RB-700	LL-700
7½"	N/A	I74HL14/15	I74HL	N/A	N/A

* ¼ Size are available upon request

RODS						
	PISTON ROD	SUB ROD	CONNECTING ROD	EXTENSION ROD	ROD CLAMP	PISTON ROD NUT
PART NO.	0283-C	0283-A	0283-D	16-0284	24-0284	7403364



MUD PUMP EXPENDABLES TRIPLEX FLUID END PARTS

OILWELL

7½ × 12

A-1700-PT

Liners & Liner Packing		
SIZES	LINER	LINER PACKING
4"	0284-40	MKG-0753
4½"	0284-44	MKG-0754
5"	0284-50	MKG-0742
5½"	0284-54	MKG-0743
6"	0284-60	MKG-0745
6¼"	0284-62	MKG-0770
6½"	0284-64	MKG-0746
6¾"	0284-66	MKG-0755
7"	0284-70	MKG-0756
7¼"	0284-72	MKG-0757
7½"	0284-74	MKG-0758

Gaskets	
Valve Cover Gasket	Cylinder Head Gasket
G-0760	N/A

*Also available in small OD, 0283-XX

SERIES	VALVE	SEAT	SPRING	URETHANE INSERT	PULLER HEAD
P-4 WEB	U5C-EEF	7DD-B1	5710-110	UDD-7B	1700-7
P-4 WEB HIGH TEMP	U5C-EEFHT	7DD-B1	5710-110	UDD-7BHT	1700-7
P-FULL OPEN	7FO-V1	7FO-S1	5710-115L	7FO-SI	1700-7FO
P-G2	1560985	1561370	1560702	1560557	1700-7G2
P-3 WEB	202PZL482A	202PZL039	5710-110	201PZL106	1700-7R
P-ROUGHNECK	RN7-V1	RN7-S1	5710-110L	RN7-I	1700-7FO
P-SW FULL OPEN	777-7	877-7	951	977	1700-7SW
P-DOUBLE ANGLE	0500110	0509309	05147900	0514275	1700-7BA
P-PLATE TYPE	0505062	0509309	05144230	0504893	1700-7BA

Piston Size	Red Thunder Bonded Pistons	Imperial Piston	Imperial Rubber Kits	Rubber Bonded	Long Life (Urethane)
4"	KOD-400	I40HK14/15	I40HK	RB-400	LL-400
4½"	KOD-440	I44HK14/15	I44HK	RB-440	LL-440
5"	KOD-500	I50HB14/15	I50HB	RB-500	LL-500
5½"	KOD-540	I54HB14/15	I54HB	RB-540	LL-540
6"	KOD-600	I60HB14/15	I60HB	RB-600	LL-600
6½"	KOD-640	I64HL14/15	I64HL	RB-640	LL-640
7"	KOD-700	I70HL14/15	I70HL	RB-700	LL-700
7½"	N/A	I74HL14/15	I74HL	N/A	N/A

* ¼ Size are available upon request

RODS						
	PISTON ROD	SUB ROD	CONNECTING ROD	EXTENSION ROD	ROD CLAMP	PISTON ROD NUT
PART NO.	0283-C	0283-A	0283-D	16-0284	24-0284	7403364



MUD PUMP EXPENDABLES TRIPLEX FLUID END PARTS

NATIONAL

4½ × 5

JWS165/340

Liners & Liner Packing		
SIZES	LINER	LINER PACKING
3"	0240-30	1712064
3½"	0240-34	1712064
4"	0240-40	1712064
4½"	0240-44	1712064

Gaskets	
JWS165	2410031-429
JWS340	1718265

SERIES	P – G2	P – G2
	SUCTION	DISCHARGE
VALVE (Urethane Insert)	1561575	1561575
VALVE (Rubber Insert)	N/A	N/A
VALVE SEAT	1561571	1561572
VALVE SPRING	1712211	1712206
VALVE INSERT (Urethane)	1561577	1561577
VALVE INSERT (Red Thunder)	N/A	N/A
VALVE INSERT (Rubber)	N/A	N/A
VALVE SEAT PULLER HEAD	N/A	N/A

Piston Size	Red Thunder Bonded Pistons	Imperial Piston	Imperial Rubber Kits	Rubber Bonded	Long Life (Urethane)
3"	N/A	I30HA10	I30HA	N/A	N/A
3½"	N/A	I34HK10	I34HK	N/A	N/A
4"	KOD-400-10	I40HK10	I40HB	RB-400-10	LL-400-10
4½"	KOD-440-10	I44HK10	I44HK	RB-440-10	LL-440-10

* ¼ Size are available upon request

RODS					
	PISTON ROD	SUB ROD	EXTENSION ROD	ROD CLAMP	PISTON ROD NUT
ONE PIECE	0238		16-0238	24-0238	7403224



MUD PUMP EXPENDABLES TRIPLEX FLUID END PARTS

NATIONAL

4½ × 5

JWS400

Liners & Liner Packing		
SIZES	LINER	LINER PACKING
4"	0237-40	G-0272
4½"	0237-44	G-0274
5"	0237-50	G-0276
5½"	0237-54	G-0278

Gaskets	
Valve Cover Gasket	Cylinder Head Gasket
1715146	N/A

SERIES	P – G2	P – G2
	SUCTION	DISCHARGE
VALVE (Urethane Insert)	1561575	1561575
VALVE (Rubber Insert)	N/A	N/A
VALVE SEAT	1561561	1561569
VALVE SPRING	1560698	1717296
VALVE INSERT (Urethane)	1561577	1561577
VALVE INSERT (Red Thunder)	N/A	N/A
VALVE INSERT (Rubber)	N/A	N/A
VALVE SEAT PULLER HEAD	N/A	N/A

Piston Size	Red Thunder Bonded Pistons	Imperial Piston	Imperial Rubber Kits	Rubber Bonded	Long Life (Urethane)
4"	KOD-400-10	I40HK10	I40HK	RB-400-10	LL-400-10
4½"	KOD-440-10	I44HK10	I44HK	RB-440-10	LL-440-10
5"	KOD-500-10	I50HB10	I50HB	RB-500-10	LL-500-10
5½"	KOD-540-10	I54HB10	I54HB	RB-540-10	LL-540-10

* ¼ Size are available upon request

RODS					
	PISTON ROD	SUB ROD	EXTENSION ROD	ROD CLAMP	PISTON ROD NUT
PART NO.	2239-A	2239-B	16-2239	24-2239	7403224



MUD PUMP EXPENDABLES TRIPLEX FLUID END PARTS

NATIONAL

6¹/₄ × 7³/₄

7-P-50

Liners & Liner Packing		
SIZES	LINER	LINER PACKING
4"	0257-40	G-0272
4½"	0257-44	G-0274
5"	0257-50	G-0276
5½"	0257-54	G-0278
6"	0257-60	G-0280
6¼"	0257-62	G-0268

Gaskets	
Valve Cover Gasket	Cylinder Head Gasket
61-0253	N/A

SERIES	VALVE	SEAT	SPRING	URETHANE INSERT	PULLER HEAD
P-4 WEB	U5B-05	5DD-B3	5710-111	UDD-5B	1700-5
P-FULL OPEN	5DFO-V1	5DFO-S3	5710-030	5DFO-SI	1700-5FO
P-DOUBLE ANGLE	500117	515745	5147900	515844	1700-5BA
P-PLATE TYPE	504991	515745	5144230	504888	1700-5BA

Piston Size	Red Thunder Bonded Pistons	Imperial Piston	Imperial Rubber Kits	Rubber Bonded	Long Life (Urethane)
4"	KOD-400	I40HK14/15	I40HK	RB-400	LL-400
4½"	KOD-440	I44HK14/15	I44HK	RB-440	LL-440
5"	KOD-500	I50HB14/15	I50HB	RB-500	LL-500
5½"	KOD-540	I54HB14/15	I54HB	RB-540	LL-540
6"	KOD-600	I60HB14/15	I60HB	RB-600	LL-600

* ¼ Size are available upon request

RODS					
	PISTON ROD	SUB ROD	EXTENSION ROD	ROD CLAMP	PISTON ROD NUT
PART NO.	0257-A	0257-B	16-0257	24-0257	7403364



MUD PUMP EXPENDABLES TRIPLEX FLUID END PARTS

NATIONAL

6½ × 8½

8-P-80

Liners & Liner Packing		
SIZES	LINER	LINER PACKING
4"	0256-40	G-0272
4½"	0256-44	G-0274
5"	0256-50	G-0276
5½"	0256-54	G-0278
6"	0256-60	G-0280
6¼"	0256-62	G-0268

Gaskets	
Valve Cover Gasket	Cylinder Head Gasket
61-0255	N/A

SERIES	VALVE	SEAT	SPRING	URETHANE INSERT	PULLER HEAD
P-4 WEB	U5B-EH	6ADD-B4	5710-115	UDD-6AB	1700-6
P-4 WEB HIGH TEMP	U5B-EHHT	6ADD-B4	5710-115	UDD-6ABHT	1700-6
P-FULL OPEN	6FO-V1	6FO-S4	5710-115	6FO-SI	1700-6FO
P-G2	1560995	1561450	1560701	1560587	1700-6G2
P-ROUGHNECK	RN6-V1	RN6-S4	5710-115L	RN6-I	1700-6FO
P-SW FULL OPEN	773-1	873-1	951	973	1700-6SW
P-DOUBLE ANGLE	0500119	0512436	05147900	0515845	1700-6BA
P-PLATE TYPE	0505038	0512436	05155760	0504890	1700-6BA

Piston Size	Red Thunder Bonded Pistons	Imperial Piston	Imperial Rubber Kits	Rubber Bonded	Long Life (Urethane)
4"	KOD-400	I40HK14/15	I40HK	RB-400	LL-400
4½"	KOD-440	I44HK14/15	I44HK	RB-440	LL-440
5"	KOD-500	I50HB14/15	I50HB	RB-500	LL-500
5½"	KOD-540	I54HB14/15	I54HB	RB-540	LL-540
6"	KOD-600	I60HB14/15	I60HB	RB-600	LL-600
6½"	KOD-640	I64HB14/15	I64HB	RB-640	LL-640

* ¼ Size are available upon request

RODS					
	PISTON ROD	SUB ROD	EXTENSION ROD	ROD CLAMP	PISTON ROD NUT
PART NO.	0259-A	0259-B	16-0259	24-0259	7403364



MUD PUMP EXPENDABLES TRIPLEX FLUID END PARTS

NATIONAL

6³/₄ × 9¹/₄

9-P-100

Liners & Liner Packing		
SIZES	LINER	LINER PACKING
4"	N/A	N/A
4½"	0255-44	G-0274
5"	0255-50	G-0265
5½"	0255-54	G-0263
6"	0255-60	G-0261
6¼"	0255-62	G-0283
6½"	0255-64	G-0283
6¾"	0255-66	G-0283

Gaskets	
Valve Cover Gasket	Cylinder Head Gasket
61-0255	N/A

SERIES	VALVE	SEAT	SPRING	URETHANE INSERT	PULLER HEAD
P-4 WEB	U5B-EH	6ADD-B4	5710-115	UDD-6AB	1700-6
P-4 WEB HIGH TEMP	U5B-EHHT	6ADD-B4	5710-115	UDD-6ABHT	1700-6
P-FULL OPEN	6FO-V1	6FO-S4	5710-115	6FO-SI	1700-6FO
P-G2	1560995	1561450	1560701	1560587	1700-6G2
P-ROUGHNECK	RN6-V1	RN6-S4	5710-115L	RN6-I	1700-6FO
P-SW FULL OPEN	773-1	873-1	951	973	1700-6SW
P-DOUBLE ANGLE	0500119	0512436	05147900	0515845	1700-6BA
P-PLATE TYPE	0505038	0512436	05155760	0504890	1700-6BA

Piston Size	Red Thunder Bonded Pistons	Imperial Piston	Imperial Rubber Kits	Rubber Bonded	Long Life (Urethane)
4"	KOD-400	I40HK14/15	I40HK	RB-400	LL-400
4½"	KOD-440	I44HK14/15	I44HK	RB-440	LL-440
5"	KOD-500	I50HB14/15	I50HB	RB-500	LL-500
5½"	KOD-540	I54HB14/15	I54HB	RB-540	LL-540
6"	KOD-600	I60HB14/15	I60HB	RB-600	LL-600
6½"	KOD-640	I64HL14/15	I64HL	RB-640	LL-640

* ¼ Size are available upon request

RODS					
	PISTON ROD	SUB ROD	EXTENSION ROD	ROD CLAMP	PISTON ROD NUT
PART NO.	0260-A	0260-B	16-0260	24-0260	7403364



MUD PUMP EXPENDABLES TRIPLEX FLUID END PARTS

NATIONAL

6¾ × 10

10-P-130

Liners & Liner Packing		
SIZES	LINER	LINER PACKING
4"	N/A	N/A
4½"	0255-44	G-0274
5"	0255-50	G-0265
5½"	0255-54	G-0263
6"	0255-60	G-0261
6¼"	0255-62	G-0283
6½"	0255-64	G-0283
6¾"	0255-66	G-0283

Gaskets	
Valve Cover Gasket	Cylinder Head Gasket
61-0255	N/A

SERIES	VALVE	SEAT	SPRING	URETHANE INSERT	PULLER HEAD
P-4 WEB	U5B-EH	6ADD-B4	5710-115	UDD-6AB	1700-6
P-4 WEB HIGH TEMP	U5B-EHHT	6ADD-B4	5710-115	UDD-6ABHT	1700-6
P-FULL OPEN	6FO-V1	6FO-S4	5710-115	6FO-SI	1700-6FO
P-G2	1560995	1561450	1560701	1560587	1700-6G2
P-ROUGHNECK	RN6-V1	RN6-S4	5710-115L	RN6-I	1700-6FO
P-SW FULL OPEN	773-1	873-1	951	973	1700-6SW
P-DOUBLE ANGLE	0500119	0512436	05147900	0515845	1700-6BA
P-PLATE TYPE	0505038	0512436	05155760	0504890	1700-6BA

Piston Size	Red Thunder Bonded Pistons	Imperial Piston	Imperial Rubber Kits	Rubber Bonded	Long Life (Urethane)
4"	KOD-400	I40HK14/15	I40HK	RB-400	LL-400
4½"	KOD-440	I44HK14/15	I44HK	RB-440	LL-440
5"	KOD-500	I50HB14/15	I50HB	RB-500	LL-500
5½"	KOD-540	I54HB14/15	I54HB	RB-540	LL-540
6"	KOD-600	I60HB14/15	I60HB	RB-600	LL-600
6½"	KOD-640	I64HL14/15	I64HL	RB-640	LL-640

* ¼ Size are available upon request

RODS					
	PISTON ROD	SUB ROD	EXTENSION ROD	ROD CLAMP	PISTON ROD NUT
PART NO.	0256-A	0256-B	16-0256	24-0256	7403364



MUD PUMP EXPENDABLES TRIPLEX FLUID END PARTS

NATIONAL

7½ × 12

12-P-160

Liners & Liner Packing		
SIZES	LINER	LINER PACKING
4"	0259-40	G-0265
4½"	0259-44	G-0265
5"	0259-50	G-0264
5½"	0259-54	G-0263
6"	0259-60	G-0261
6¼"	0259-62	G-0283
6½"	0259-64	G-0284
6¾"	0259-66	G-0287
7"	0259-70	G-0285
7¼"	0259-72	G-0286
7½"	0259-74	N/A

Gaskets	
Valve Cover Gasket	Cylinder Head Gasket
G-0771	N/A

SERIES	VALVE	SEAT	SPRING	URETHANE INSERT	PULLER HEAD
P-4 WEB	U5C-EEF	7DD-B12	5710-115	UDD-7B	1700-7
P-4 WEB HIGH TEMP	U5C-EEFHT	7DD-B12	5710-115	UDD-7BHT	1700-7
P-FULL OPEN	7FO-V1	7FO-S12	5710-115L	7FO-SI	1700-7FO
P-G2	1560985	1561440	1560702	1560557	1700-7G2
P-ROUGHNECK	RN7-V1	RN7-S12	5710-115L	RN7-I	1700-7FO
P-SW FULL OPEN	777-7	877-8	951	977	1700-7SW
P-DOUBLE ANGLE	0500110	0514299	05147900	0514275	1700-7BA
P-PLATE TYPE	0505062	0514299	05144230	0504893	1700-7BA

Piston Size	Red Thunder Bonded Pistons	Imperial Piston	Imperial Rubber Kits	Rubber Bonded	Long Life (Urethane)
4"	KOD-400	I40HK14/15	I40HK	RB-400	LL-400
4½"	KOD-440	I44HK14/15	I44HK	RB-440	LL-440
5"	KOD-500	I50HB14/15	I50HB	RB-500	LL-500
5½"	KOD-540	I54HB14/15	I54HB	RB-540	LL-540
6"	KOD-600	I60HB14/15	I60HB	RB-600	LL-600
6½"	KOD-640	I64HL14/15	I64HL	RB-640	LL-640
7"	KOD-700	I70HL14/15	I70HL	RB-700	LL-700
7½"	N/A	I74HL14/15	I74HL	RB-740	LL-740

* ¼ Size are available upon request

RODS					
	PISTON ROD	SUB ROD	EXTENSION ROD	ROD CLAMP	PISTON ROD NUT
PART NO.	0258-A	0258-B	16-0258	24-0258	7403364



**MUD PUMP EXPENDABLES
TRIPLEX FLUID END PARTS**

FLUID END MODULE AND ACCESSORIES



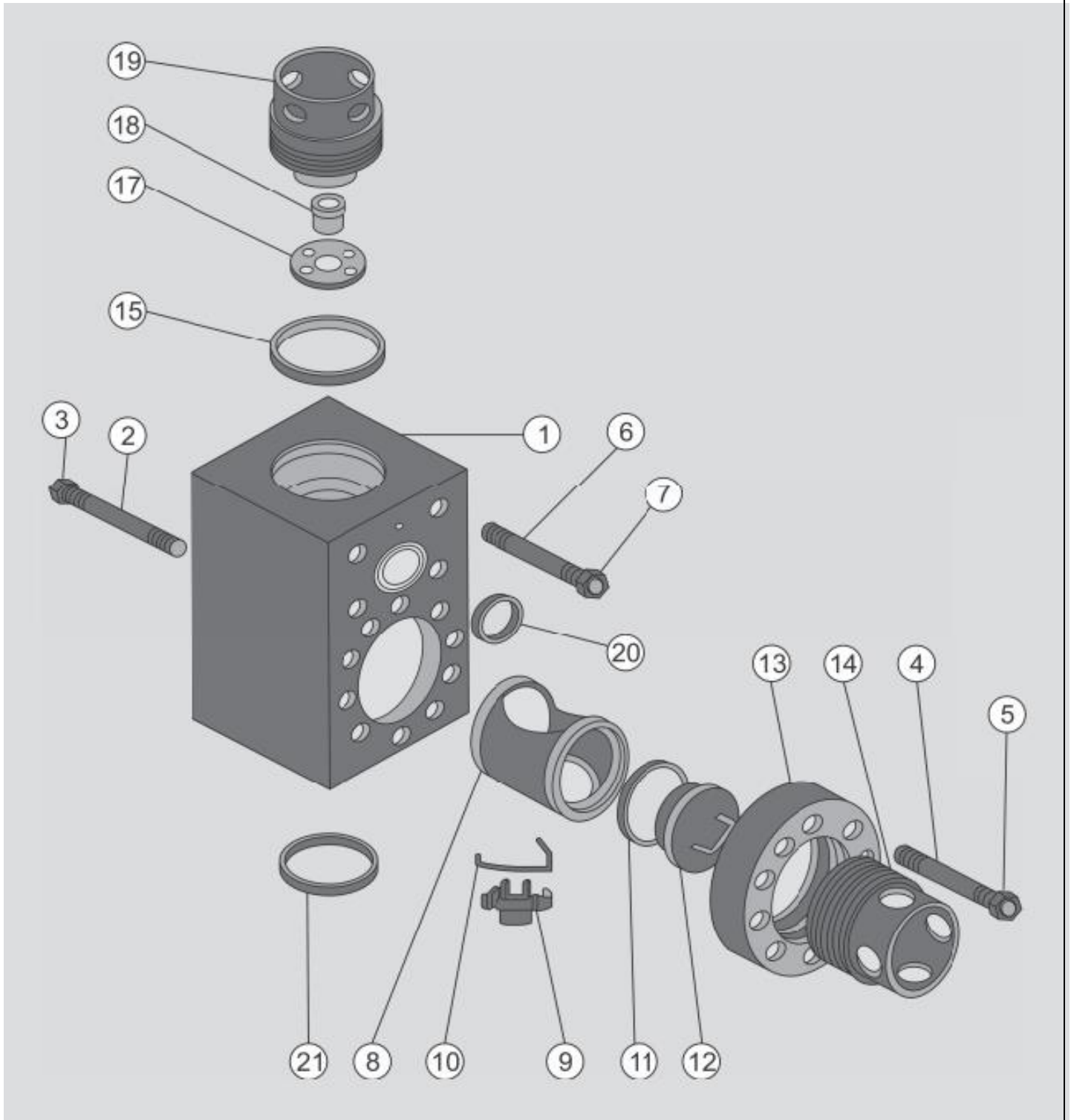
FLUID END MODULE AND ACCESSORIES

EMSCO

F-350, F-500 & F-650

Item	Part No.	Description	Qty per Pump
	6318-0151-00	Fluid Module, Studded (Included Items 2 – 7)	(3)
1		Fluid Module, Only	3
2	7507-2207-00	Stud – Frame	18
3	7601-0630-17	Nut – Frame	18
4	7507-3402-00	Stud – Threaded Ring	36
5	7601-0630-26	Nut – Threaded Ring	36
6	7507-3407-00	Stud – Discharge Manifold	12
7	7601-0630-26	Nut – Discharge Manifold	12
8	6318-0148-00	Liner Cage	3
9	6318-0177-00	Lower Valve Guide with Bushing	3
10	6318-0153-00	Locking Clip	3
11	7602-2200-34	Gasket – Liner	6
12	6318-0158-00	Cylinder Head Plug	3
13	6318-0130-00	Threaded Ring	3
14	6318-0157-00	Cylinder Head	3
15	6310-0084-00	Gasket – Valve Pot Cover	3
16	7501-0051-00*	Retainer Bolt	12
17	6310-0133-00	Retainer Plate	3
18	6397-0602-00	Upper Valve Guide	3
19	6310-0016-01	Valve Pot Cover	3
20	7602-1600-23	Gasket – Discharge Manifold	3
21	7602-1600-33	Gasket – Suction Manifold	3
22	6318-0155-00	Lower Valve Guide Bushing	3

* Not shown





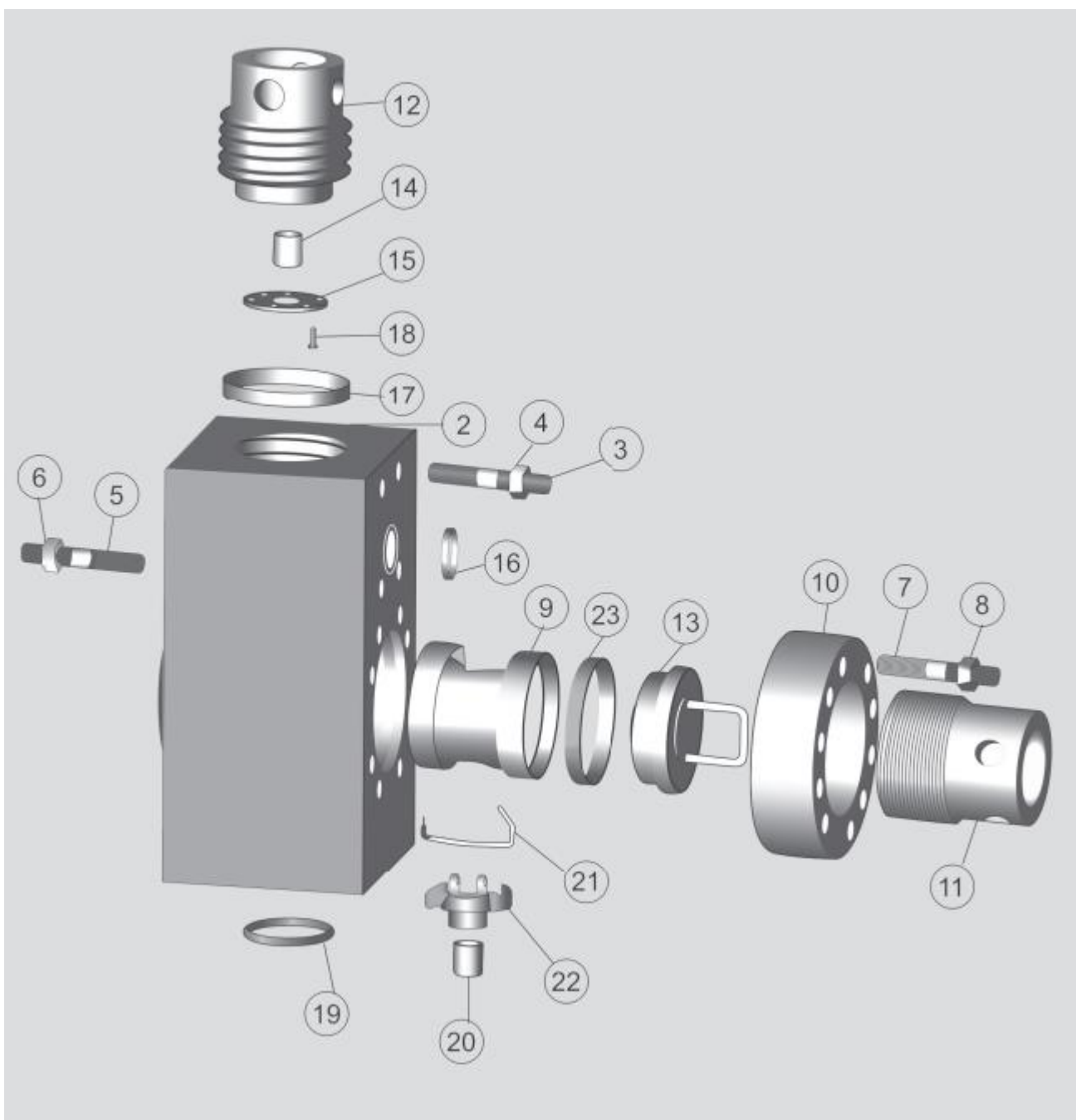
**FLUID END MODULE
AND ACCESSORIES**

EMSCO

F-800 & F-1000

Item	Part No.	Description	Qty per Pump
1	6999-0086-02	Fluid Module, Studded (Included Items 2 – 8)	(3)
2	6999-0087-02	Fluid Module, Only	3
3	7507-2108-00	Stud – Discharge Manifold	12
4	7601-0630-24	Nut – Discharge Manifold	12
5	7507-2205-00	Stud – Frame	18
6	7601-0630-17	Nut – Frame	18
7	7507-2150-00	Stud – Threaded Ring	30
8	7601-0630-26	Nut – Threaded Ring	30
9	6319-0026-00	Liner Cage	3
10	6999-0089-00	Threaded Ring	3
11	6319-0090-00	Cylinder Head	3
12	6319-0027-00	Valve Pot Cover	3
13	6319-0031-00	Cylinder Head Plug	3
14	6397-0575-00	Upper Valve Guide	3
15	6397-0603-00	Retainer Plate	3
16	7602-1610-46	O-Ring, Discharge Manifold	3
17	6319-0076-00	Seal – Valve Pot Cover	3
18	7501-0051-00	Retainer Bolt	12
19	7602-1600-61	O-Ring – Suction Manifold	3
20	6316-0096-00	Lower Valve Guide Bushing	3
21	6319-0089-00	Locking Clip	3
22	6319-0087-00	Lower Valve Guide with Bushing	3
23	7602-2200-32	Seal – Liner, Cylinder Head Plug	3

F-800 F-1000





FLUID END MODULE AND ACCESSORIES

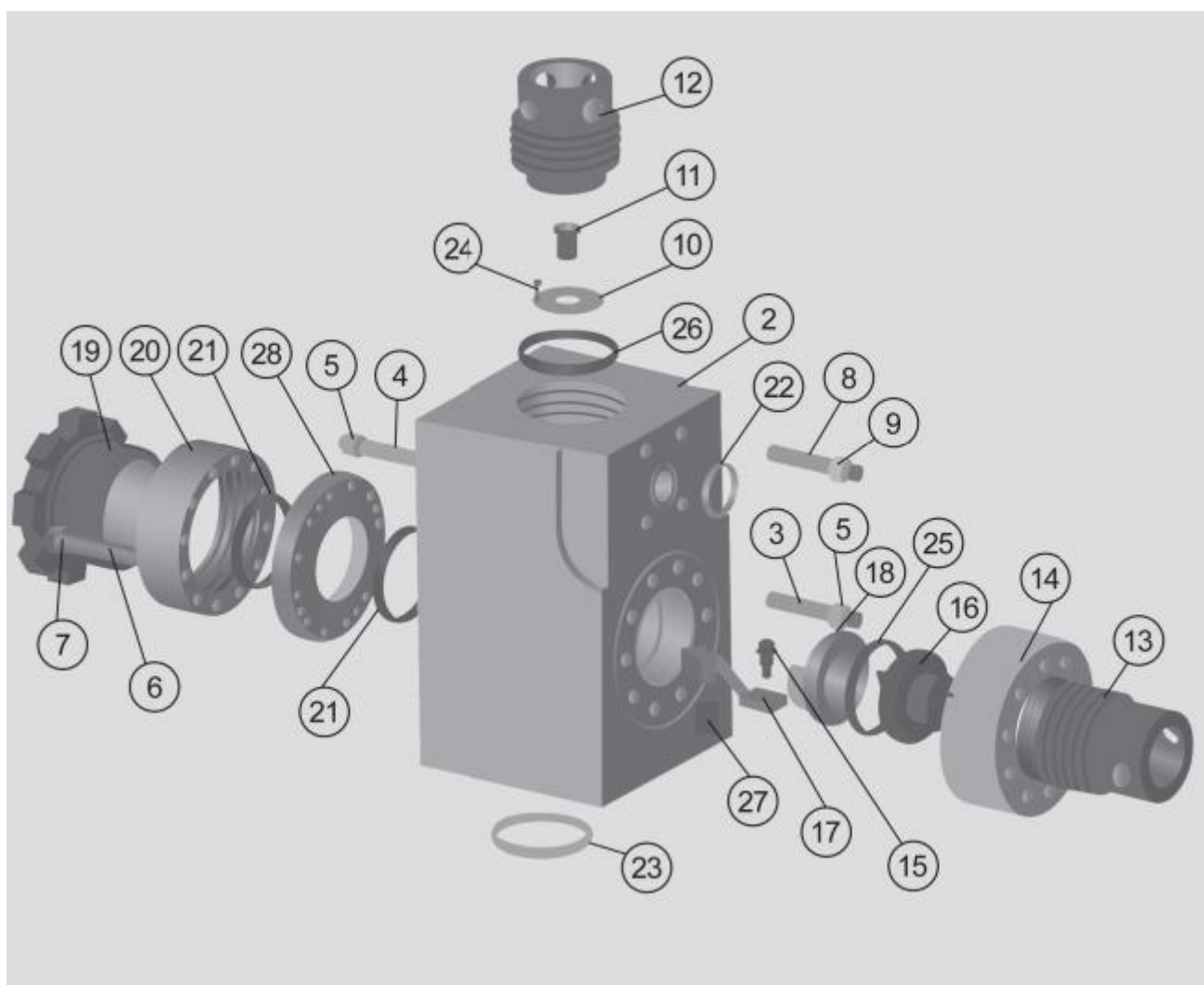
EMSCO

FB – 1300 & FB – 1600

Item	Part No.	Description	Qty per Pump
1	6316-0357-00	Fluid Module, Studded (Included Items 2 – 9)	(3)
2	6316-0356-00	Fluid Module, Only	3
3	7507-2210-00	Stud – Threaded Ring	30
4	7507-2201-00	Stud – Frame	18
5	7601-0630-17	Nut – Frame, Threaded Ring	48
6	7507-2013-00	Stud – Liner Thread Ring	36
7	7601-0610-18	Nut – Liner Thread Ring	36
8	7507-2108-00	Stud – Discharge Manifold	12
9	7601-0630-24	Nut – Discharge Manifold	12
10	6397-0603-00	Retainer Plate	3
11	6397-0575-00	Upper Valve Guide	3
12	6316-0039-00	Valve Cover	3
13	6316-0362-00	Cylinder Head	3
14	6316-0361-00	Cylinder Threaded Ring	3
15	6316-0360-00	Lock Bolt	3
16	6316-0364-00	Cylinder Head Plug	3
17	6316-0354-00	Lower Valve Guide with Bushing	3
18	6316-0363-00	Alignment Ring	3
19	6316-0367-00	Liner Lock	3
20	6316-0366-00	Liner Threaded Ring	3
21	6316-0373-00	Seal – Wear Plate, Liner	3
22	7602-1600-25	Seal – Discharge Manifold	3
23	7602-1600-61	Seal – Suction Manifold	3
24	7501-0051-00	Retainer Bolt	12
25	6316-0369-00	Seal – Cylinder Head Plug	3
26	6316-0092-00	Seal – Valve Pot Cover	3
27	6316-0096-00	Valve Guide Bushing	3
28	6316-0365-00	Wear Plate	3

Offered in Plain Carbon or Stainless Steel

FB-1300 FB-1600





FLUID END MODULE AND ACCESSORIES

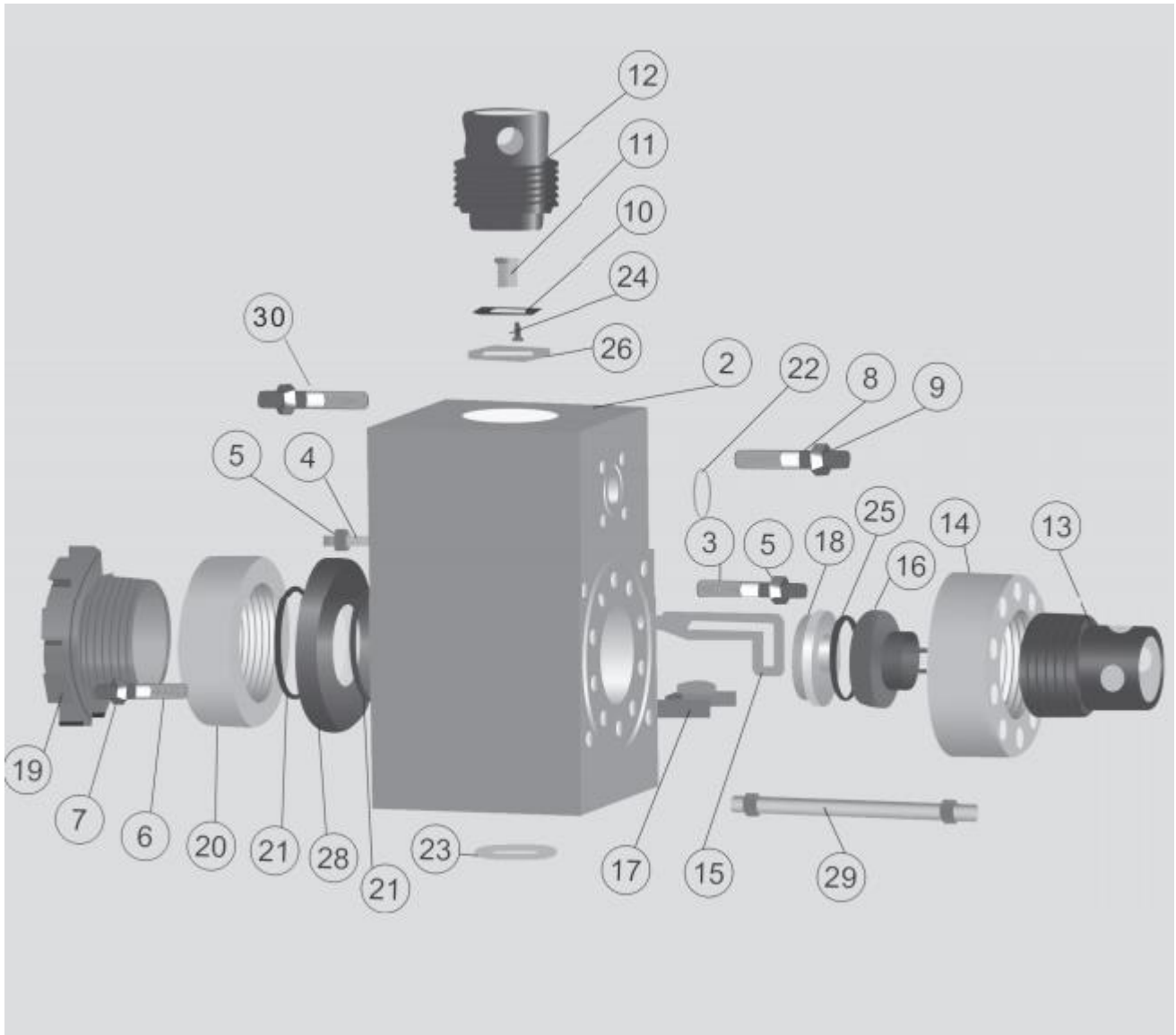
BOMCO F – 1300 & F – 1600

Item	Part No.	Description	Qty per Pump
1	AH36002-05-01-00	Fluid Module, Studded (Included Items 2 – 9)	(3)
2	AH36002-05-01-00U	Fluid Module, Only	3
3	7507-2210-00	Stud – Threaded Ring	30
4	7507-2201-00	Stud – Frame	18
5	7601-0630-17	Nut – Frame, Threaded Ring	48
6	7507-2013-00	Stud – Liner Thread Ring	36
7	7601-0610-18	Nut – Liner Thread Ring	36
8	7507-2108-00	Stud – Discharge Manifold	12
9	7601-0630-24	Nut – Discharge Manifold	12
10	6397-0603-00	Retainer Plate	3
11	6397-0575-00	Upper Valve Guide	3
12	6316-0039-00	Valve Cover	3
13	6316-0362-00	Cylinder Head	3
14	6316-0361-00	Cylinder Threaded Ring	3
15	AH36001-05A.04	Lower Valve Guide Retainer	3
16	AH36001-05A.06.00	Cylinder Head Plug	3
17	AH36001-05A.05	Lower Valve Guide with Bushing	3
18	AH36001-05A.07	Alignment Ring	3
19	6316-0367-00	Liner Lock	3
20	6316-0366-00	Liner Threaded Ring	3
21	6316-0373-00	Seal – Wear Plate, Liner	3
22	7602-1600-25	Seal – Discharge Manifold	3
23	7602-1600-61	Seal – Suction Manifold	3
24	7501-0051-00	Retainer Bolt	12
25	6316-0369-00	Seal – Cylinder Head Plug	3
26	6316-0092-00	Seal – Valve Pot Cover	3
27	6316-0096-00	Valve Guide Bushing	3
28	6316-0365-00	Wear Plate	3
29	AH36002-01	Frame Stud c/w 2 nuts	12
30	AH36002-02	Frame Stud c/w 1 nut	12

Offered in Plain Carbon or Stainless Steel

* Not shown

BOMCO F-1300 F-1600



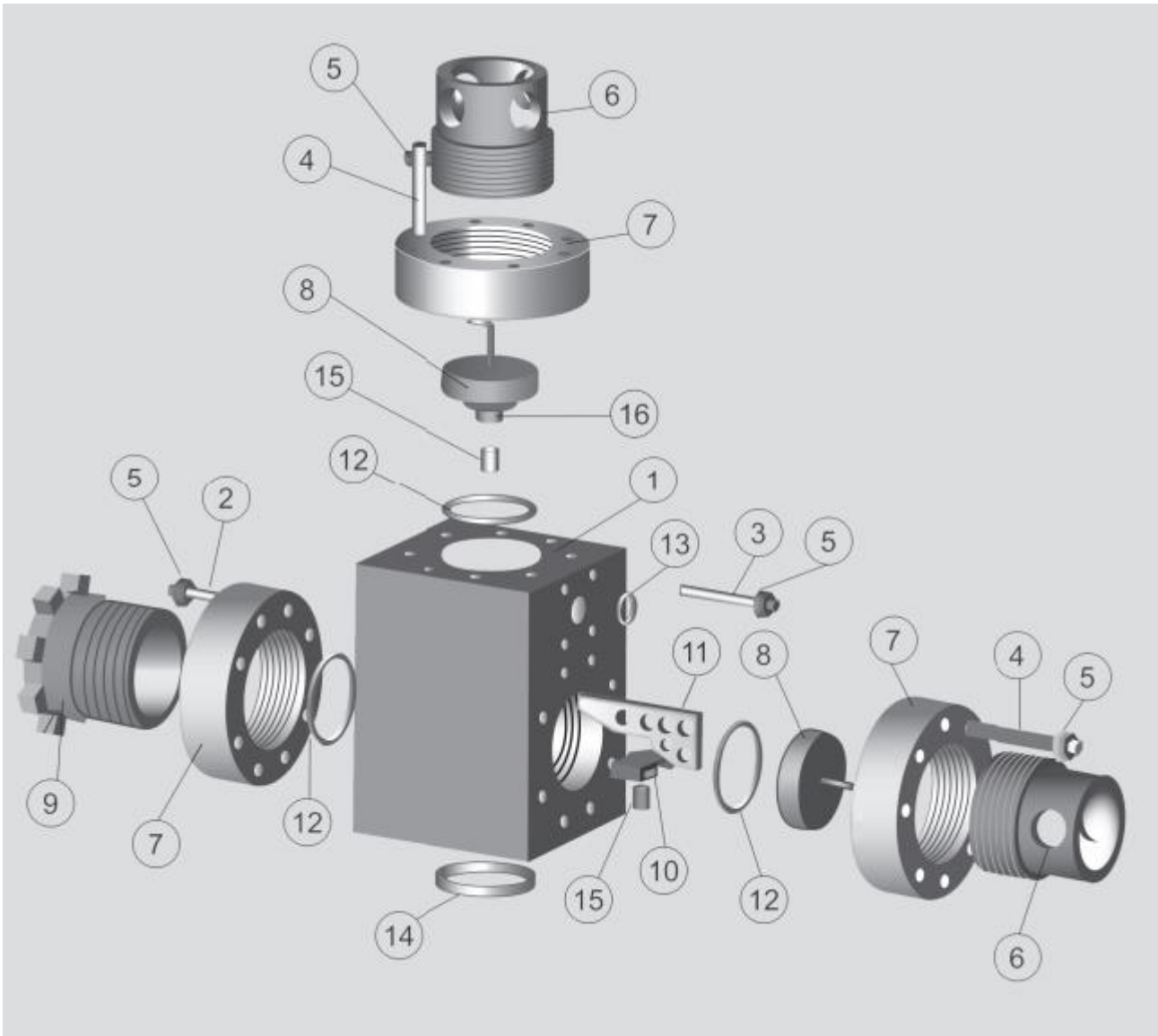


FLUID END MODULE AND ACCESSORIES

IDECO T-500, T-800 & T-1000

Item	Part No.	Description	Qty per Pump
1	551-458	Fluid Module, Only (Studded Included Items 1 – 5)	3
2	551-410-01	Stud – Frame	24
3	551-410-02	Stud – Discharge Manifold	12
4	551-410-03	Stud – Threaded Ring	48
5	IN-416	Nut	84
6	551-405-04	Threaded Plug Retainer	6
7	551-405-03	Threaded Ring	9
8	551-422-02	Cylinder Head Plug	3
	551-422-03	Cylinder Head Plug – Top (Included Items 8 & 16)	3
9	551-405-05	Threaded Liner Retainer	3
10	551-405-07	Lower Valve Guide	3
11	551-422-04	Retainer – Lower Valve Guide	3
12	BMT-1669-63-09	Seal – Cylinder Head Plug, Liner	9
13	IO-548	Seal – Discharge Manifold	3
14	IO-521	Seal – Suction Manifold	3
15	551-405-09	Valve Guide Bushing	6
16	551-405-06	Upper Valve Guide	3

T-500 T-800 T-1000





FLUID END MODULE AND ACCESSORIES

IDECO T-1300 & T-1600

Item	Part No.	Description	Qty per Pump
1	551-122-01	Fluid Module Only (Studded Included Items 1 – 6)	3
2	551-110-01	Stud – Frame, Threaded Ring	24
3	551-110-02	Stud – Discharge Manifold	12
4	551-110-03	Stud – Threaded Ring	48
5	IN-415	Nut – Threaded Ring	72
6	IN-416	Nut – Discharge Manifold	12
7	551-105-04	Threaded Plug Retainer	6
8	551-105-03	Threaded Ring	9
9	551-122-02	Cylinder Head Plug	3
	551-122-03	Cylinder Head Plug – Top (Included Items 9 & 17)	3
10	551-105-05	Threaded Liner Retainer	3
11	551-105-07	Lower Valve Guide	3
12	551-105-08	Retainer – Lower Valve Guide	3
13	BMT-1669-63-08	Seal – Cylinder Head Plug, Liner	9
14	IO-548	Seal – Discharge Manifold	3
15	IO-507	Seal – Suction Manifold	3
16	551-105-09	Valve Guide Bushing	6
17	551-105-06	Upper Valve Guide	3

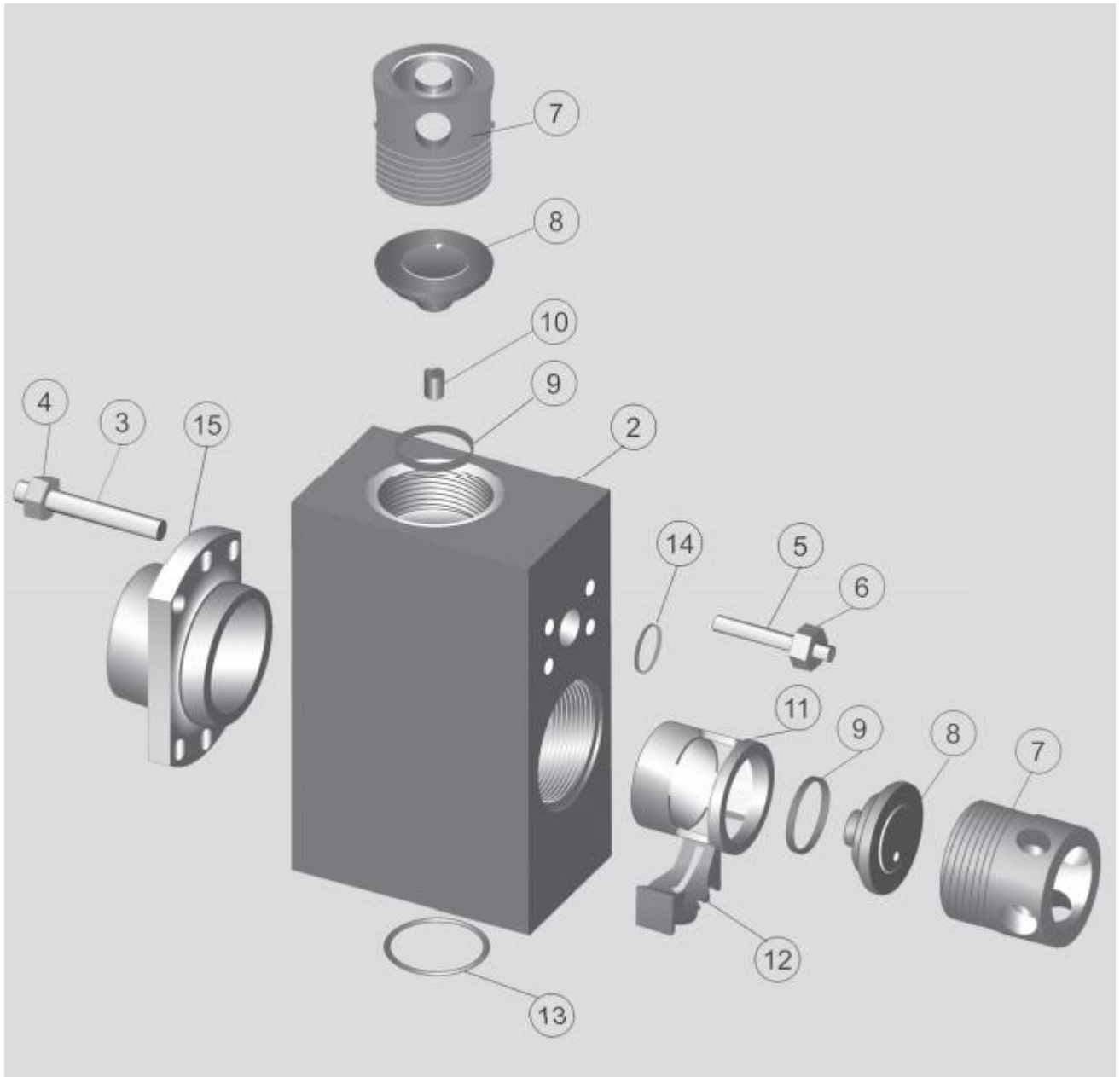


FLUID END MODULE AND ACCESSORIES

GARDNER DENVER PAH (All Models)

Item	Part No.	Description	Qty per Pump
1	200PJH029B	Fluid Module, Studded (Included Items 2 – 6)	(3)
2		Fluid Module, Only	3
3	79AJ2	Stud – Frame, Liner Clamp	18
4	50B35	Nut – Frame, Liner Clamp	36
5	79L142	Stud – Discharge Manifold	12
6	50B9	Nut – Discharge Manifold	12
7	3PA587	Threaded Cap	6
8	200PJH147	Cover – Valve	6
9	200PJH715	Gasket – Valve Cover	6
10	2013547	Bushing – Discharge Valve Cover	3
11	200PJH205	Retainer	3
12	200PJH483	Valve Guide – Suction	3
13	25G18	Gasket – Suction Manifold	3
14	25AL54	Gasket – Discharge Manifold	3
15	1PA217	Clamp – Liner	3

PAH (All Models)



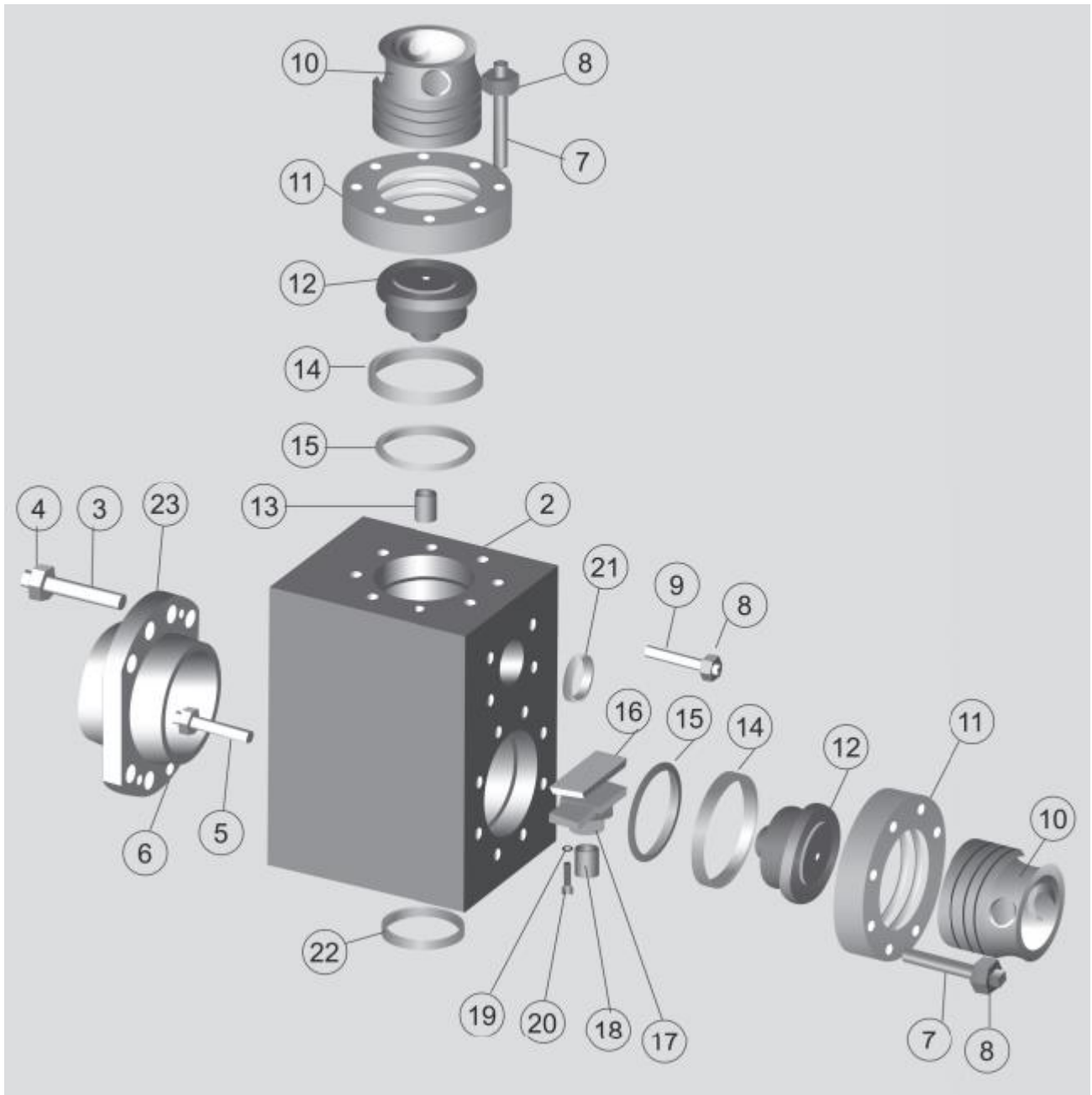


FLUID END MODULE AND ACCESSORIES

GARDNER DENVER PZ-7, PZ-8 & PZ-9

Item	Part No.	Description	Qty per Pump
1	205PZL029D	Fluid Module, Studded (Included Items 2 – 9)	(3)
2		Fluid Module, Only	3
3	79L188	Stud – Frame, Liner Clamp	24
4	50B36	Nut – Frame, Liner Clamp	48
5	79L73	Stud – Frame	12
6	50AQ30	Nut – Frame	12
7	79AL6	Stud – Threaded Ring	48
8	50B34	Nut – Threaded Ring, Discharge Manifold	60
9	202PZL110	Stud – Discharge Manifold	12
10	2011857	Cap – Valve Lock	6
11	2011699	Threaded Ring	6
12	2011860	Cover – Valve	6
13	2007674	Valve Guide Bushing	3
14	2011862	Gasket – Valve Cover	6
15	2011861	Ring – Retaining / Valve Cover Gasket	6
	2011706	Valve Guide Assembly (Included Items 16 – 20)	-3
16	2011701	Retainer Plate	3
17	2011700	Valve Guide – Suction	3
18	2007674	Valve Guide Bushing – Suction	3
19	95W2	Lock Washer – Valve Guide / Suction	6
20	655EE06S	Bolt – Valve Guide / Suction	6
21	25AL35	Gasket – Discharge Manifold	3
22	25G41	Gasket – Suction Manifold	3
23	1PV14	Liner Clamp	3

PZ-7 PZ-8 PZ-9



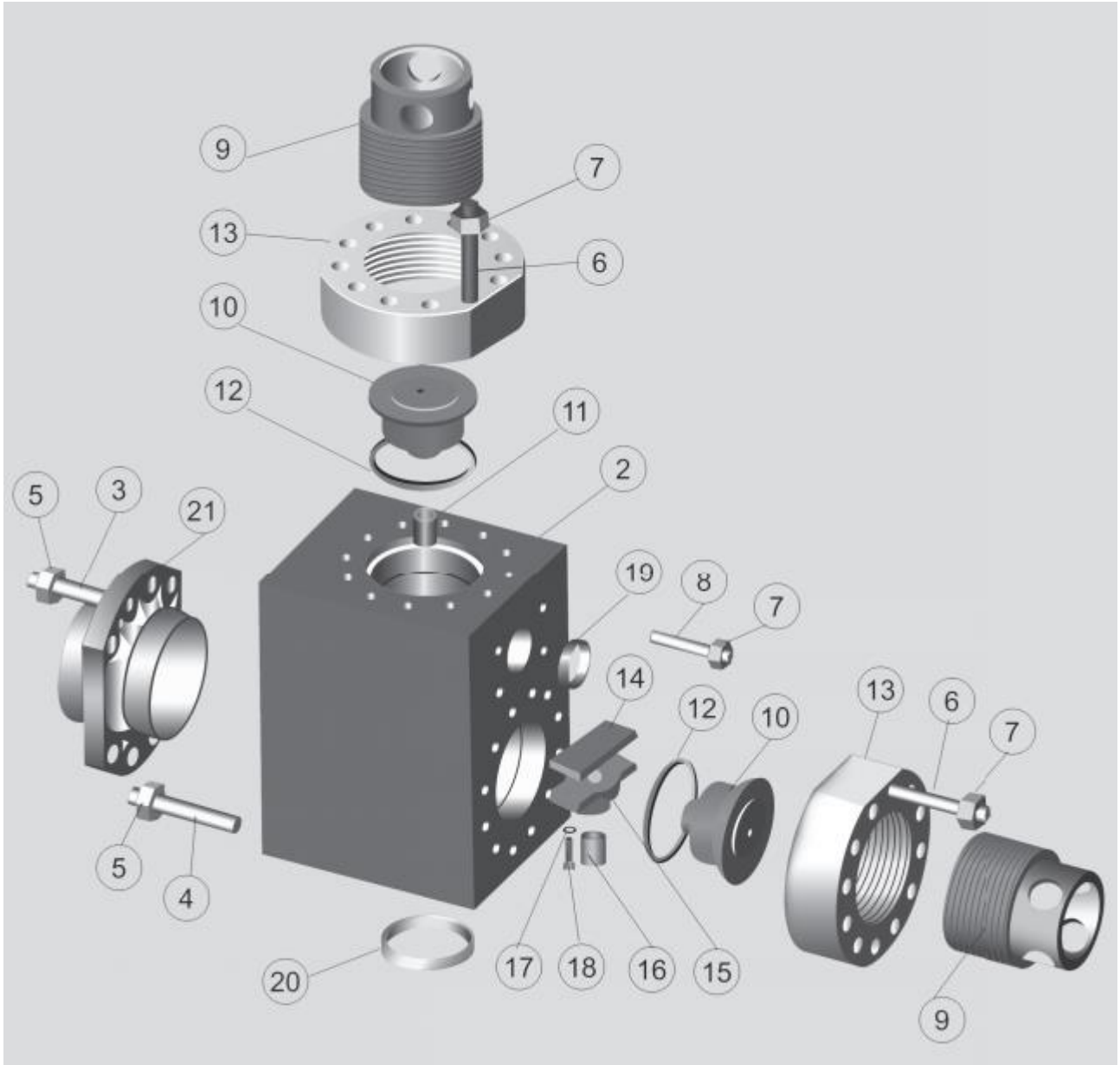


FLUID END MODULE AND ACCESSORIES

GARDNER DENVER PZ-10 & PZ-11

Item	Part No.	Description	Qty per Pump
1	202PZL029B	Fluid Module, Studded (Included Items 2 – 8)	(3)
2		Fluid Module, Only	3
3	201PZL110	Stud – Frame, Liner Clamp	24
4	205PZL110	Stud – Frame	24
5	50B36	Nut – Frame, Liner Clamp	60
6	204PZL110	Stud – Threaded Ring	72
7	50B34	Nut – Threaded Ring, Discharge Manifold	84
8	202PZL110	Stud – Discharge Manifold	12
9	200PZL587	Cap – Valve Lock	6
10	200PZL147	Cover – Valve	6
11	2007674	Valve Guide Bushing – Discharge	3
12	204PZL715	Gasket – Valve Cover	6
13	200PZL387	Threaded Ring	6
	200PZL483A	Valve Guide Assembly (Included Items 14 – 18)	-3
14	2011701	Retainer Plate	3
15	200PZL483	Valve Guide – Suction	3
16	2007674	Valve Guide Bushing – Suction	3
17	95W2	Lock Washer – Valve Guide / Suction	6
18	655EE06S	Bolt – Valve Guide / Suction	6
19	25AL35	Gasket – Discharge Manifold	3
20	25BE41	Gasket – Suction Manifold	3
21	200PZL455	Liner Clamp	3

PZ-10 PZ-11





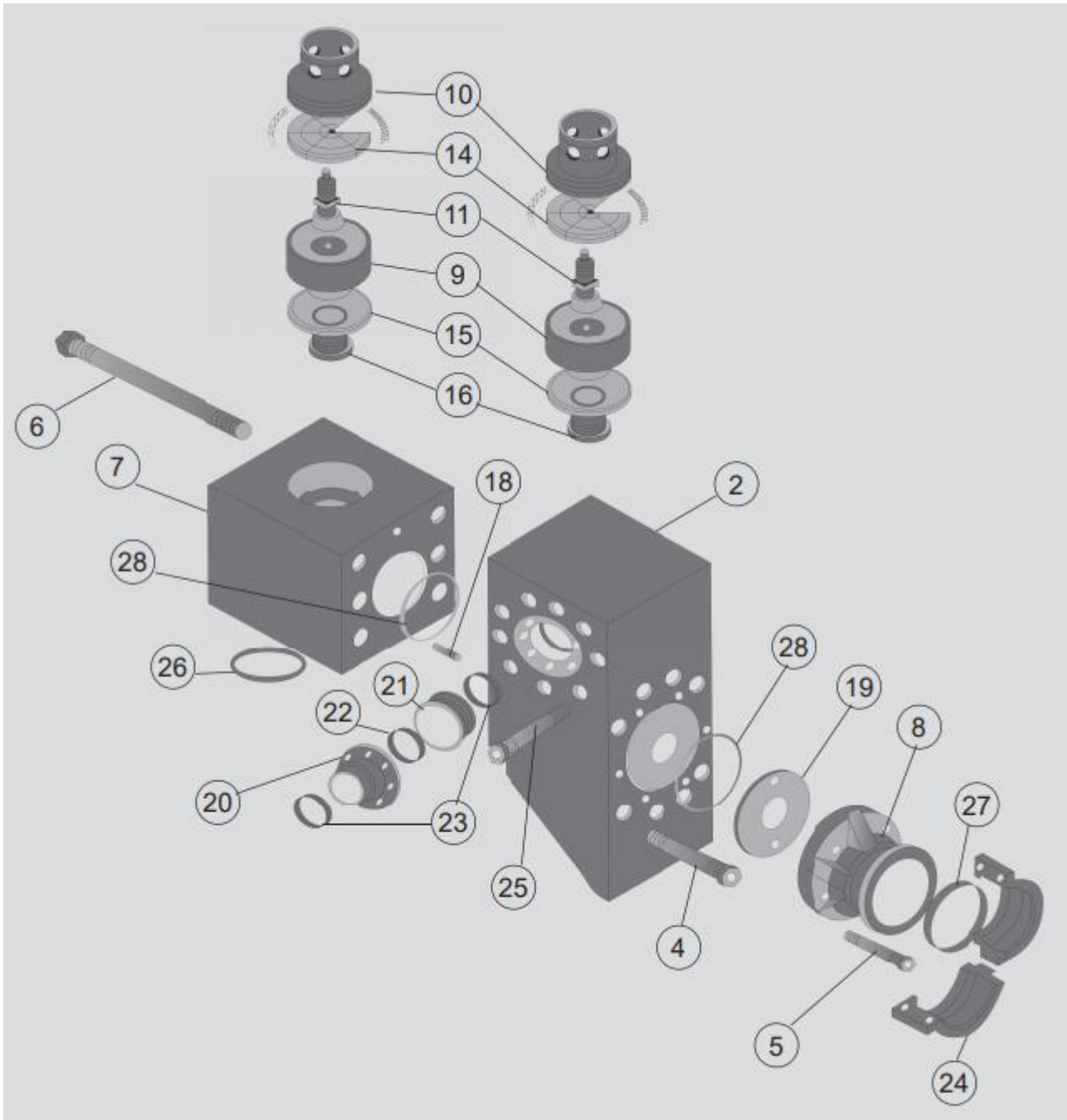
FLUID END MODULE AND ACCESSORIES

NATIONAL 7-P-50

Item	Part No.	Description	Qty per Pump
1	1294150	Discharge Module, Studded (Included Items 2 – 7)	(3)
2	1294151	Discharge Module, Only	3
3	6300160	Nut – Wedge Adjusting	24
4	2408042	Stud w/Nut – Frame	24
5	2408043	Stud w/Nut – Liner Bushing	18
6	2408041	Stud w/Nut – Discharge to Suction	18
7	1294156	Suction Module	3
8	1294165	Bushing – Liner	3
9	1294174	Seal Retainer	6
10	1294172	Valve Cover	6
11	1290178	Screw – Wedge Adjusting	6
12	1290315*	Washer – Wedge Adjusting	6
13	1290181*	Spring – Wedge Assembly	6
14	1290376	Wedge Assembly	6
15	1540126	Gasket – Valve Cover	6
16	1292140	Holder – Valve Guide	6
17	1292141*	Insert – Valve Guide	6
18	6511416	Pin, Dowell	6
19	1294160	Plate – Wear	3
20	1294170	Connector – Discharge	2
21	1294171	Adapter – Discharge Connector	2
22	2410031-348	Packing, Rectangular	2
23	2410031-427	Packing, Rectangular	4
24	1294166	Clamp – Liner	3
25	2402560	Stud w/ Nut, Discharge Spacer	16
26	1 540142	Seal – Suction Manifold	3
27	1294168	Collar – Liner	3
28	1294192	Seal – Module, Wear Plate	6

Offered in Plain Carbon or Stainless Steel
Not shown

7 – P – 50





FLUID END MODULE AND ACCESSORIES

NATIONAL

8-P-80

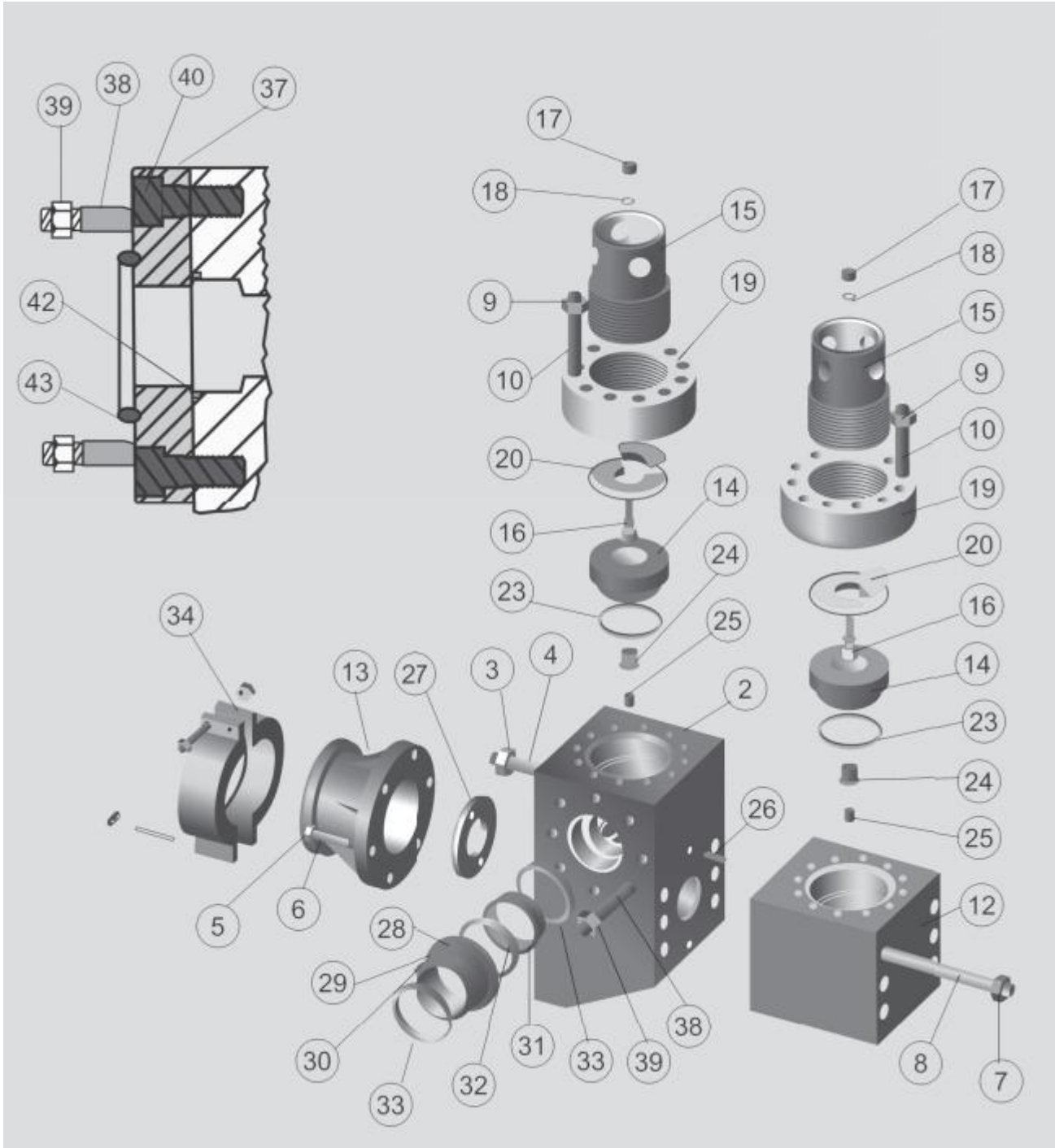
Item	Part No.	Description	Qty per Pump
1	1291280	Discharge Module, Studded (Included Items 2 – 10)	(3)
2	1291281	Discharge Module, Only	3
3	6300180	Nut – Frame	24
4	2408026	Stud – Frame	24
5	6300120	Nut – Liner Bushing	18
6	2408025	Stud – Liner Bushing	18
7	6300241	Nut – Suction to Discharge Module	18
8	2408034	Stud – Suction to Discharge Module	18
9	6300220	Nut – Threaded Ring	72
10	2408019	Stud – Threaded Ring	72
11	1290338	Suction Module, Studded (Included Items 9, 10, 14)	(3)
12	1290339	Suction Module, Only	3
13	1291165	Bushing – Liner	3
14	1290174	Seal Retainer	6
15	1290307	Valve Cover	6
16	1290178	Screw – Wedge Adjusting	6
17	6300160	Nut – Wedge Adjusting	6
18	1290315	Washer – Wedge Adjusting	6
19	1290308	Threaded Ring	6
20	1290376	Wedge Assembly (Included Items 21 – 22)	(6)
21	1290179*	Wedge, Set	6
22	1290181*	Spring – Wedge Retaining	6
23	1540126	Gasket – Valve Cover	6
24	1292140	Holder – Valve Guide	6
25	1292141	Insert – Valve Guide	6
26	6511416	Pin, Dowell	6
27	1290357	Plate – Wear	3
28	1290342	Connector – Discharge	2
29	7000305-11	Screw, Hex Head	16
30	7619050	Washer, Lock	16
31	1290343	Adapter – Discharge Connector	2
32	2410031-348	Packing, Rectangular	2
33	2410031-427	Packing, Rectangular	4
34	1291166	Clamp – Liner	3
35	1590051*	Seal – Suction Manifold	3
36	1291286	Spacer – Discharge, Studded (included items 37 – 39)	(2)
37	1291287	Spacer – Discharge	2
38	2402560	Stud – Discharge Spacer	16
39	6300200	Nut – Discharge Spacer	16

40	7006607	Capscrew	(16)
41	1290344*	Seal – Module, Wear Plate	6
42	1290345	Seal – Discharge Spacer	2
43	6908033	Ring, Oval Joint	2

Offered in Plain Carbon or Stainless Steel

* Not shown

8 – P – 80





FLUID END MODULE AND ACCESSORIES

NATIONAL 9-P-100

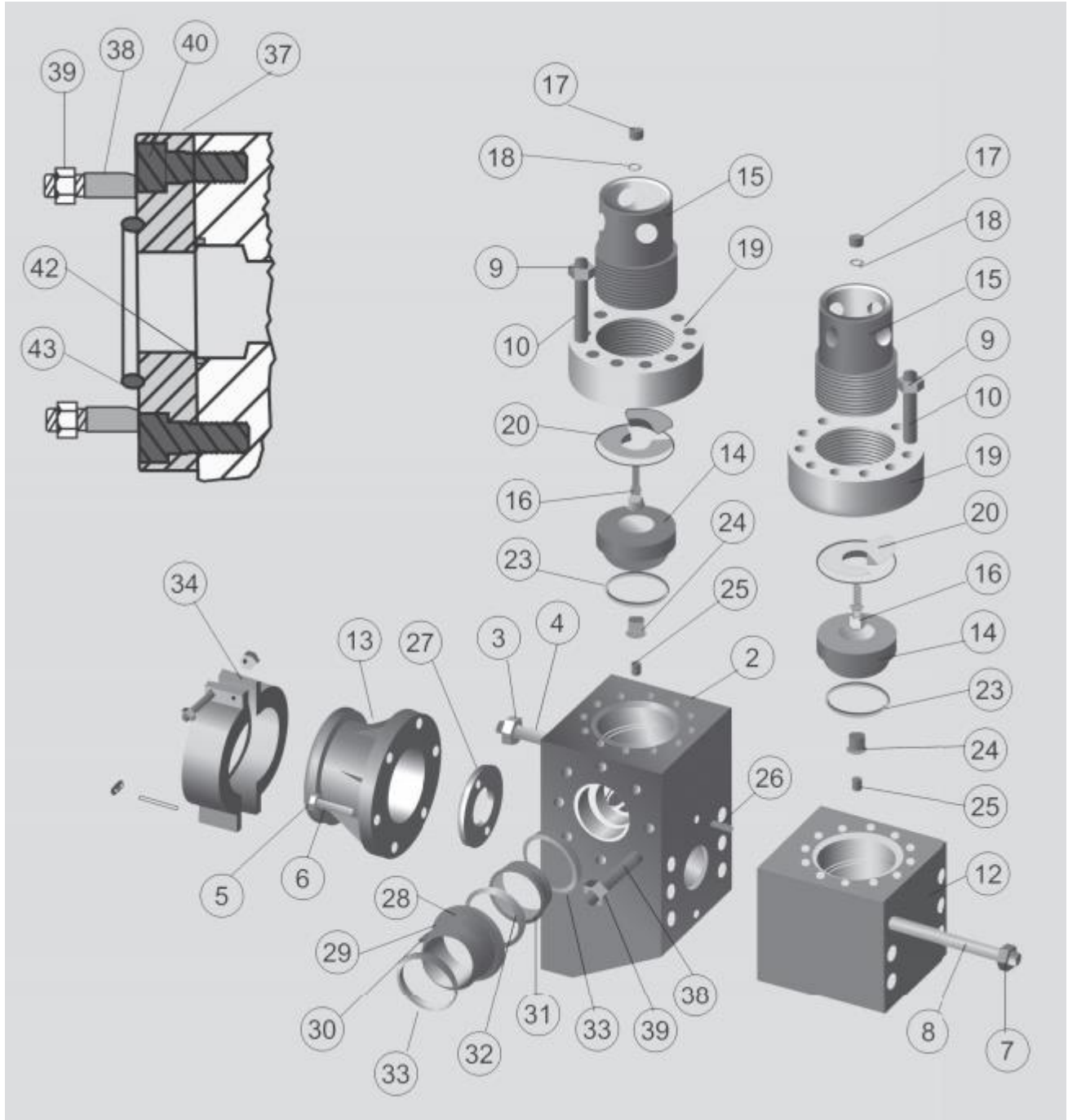
Item	Part No.	Description	Qty per Pump
1	1293240	Discharge Module, Studded (Included Items 2 – 10)	(3)
2	1293241	Discharge Module, Only	3
3	6300200	Nut – Frame	24
4	2408030	Stud – Frame	24
5	6300160	Nut – Liner Bushing	18
6	2408018	Stud – Liner Bushing	18
7	6300241	Nut – Suction to Discharge Module	18
8	2408034	Stud – Suction to Discharge Module	18
9	6300220	Nut – Threaded Ring	72
10	2408019	Stud – Threaded Ring	72
11	1290338	Suction Module, Studded (Included Items 9, 10, 14)	(3)
12	1290339	Suction Module, Only	3
13	1293165	Bushing – Liner	3
14	1290174	Seal Retainer	6
15	1290307	Valve Cover	6
16	1290178	Screw – Wedge Adjusting	6
17	6300160	Nut – Wedge Adjusting	6
18	1290315	Washer – Wedge Adjusting	6
19	1290308	Threaded Ring	6
20	1290376	Wedge Assembly (Included Items 21 – 22)	(6)
21	1290179*	Wedge, Set	6
22	1290181*	Spring – Wedge Retaining	6
23	1540126	Gasket – Valve Cover	6
24	1292140	Holder – Valve Guide	6
25	1292141	Insert – Valve Guide	6
26	6511416	Pin, Dowell	6
27	1290357	Plate – Wear	3
28	1290342	Connector – Discharge	2
29	7000305-11	Screw, Hex Head	6
30	7619050	Washer, Lock	6
31	1290343	Adapter – Discharge Connector	2
32	2410031-348	Packing, Rectangular	2
33	2410031-427	Packing, Rectangular	4
34	1293166	Clamp – Liner	3
35	1590051*	Seal – Suction Manifold	3
36	1293243	Spacer – Discharge, Studded (Included Items 37 – 39)	(2)
37	1293244	Spacer – Discharge	2
38	2402560	Stud – Discharge Spacer	16
39	6300200	Nut – Discharge Spacer	16
40	7006606	Capscrew	16
41	1290344*	Seal – Module, Wear Plate	6

42	1290345	Seal – Discharge Spacer	2
43	6908033	Ring, Oval Joint	2

Offered in Plain Carbon or Stainless Steel

* Not shown

9 – P – 100





FLUID END MODULE AND ACCESSORIES

10-P-130

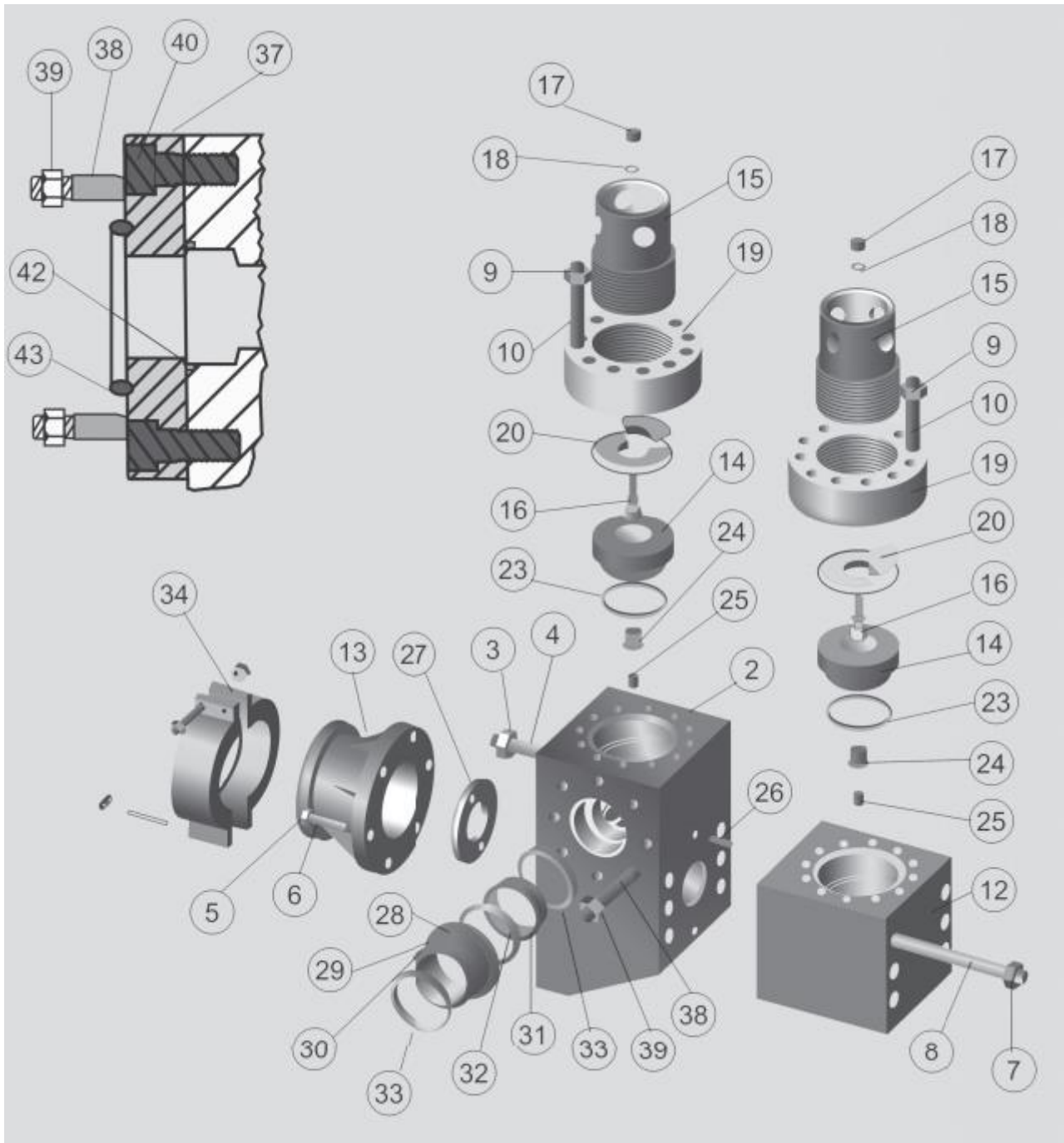
Item	Part No.	Description	Qty per Pump
1	1290335	Discharge Module, Studded (Included Items 2 – 10)	(3)
2	1290336	Discharge Module, Only	3
3	6300240	Nut – Frame	24
4	2408020	Stud – Frame	24
5	6300160	Nut – Liner Bushing	18
6	2408018	Stud – Liner Bushing	18
7	6300241	Nut – Suction to Discharge Module	18
8	2408034	Stud – Suction to Discharge Module	18
9	6300220	Nut – Threaded Ring	72
10	2408019	Stud – Threaded Ring	72
11	1290338	Suction Module, Studded (Included Items 9, 10, 12)	(3)
12	1290339	Suction Module, Only	3
13	1290165	Bushing – Liner	3
14	1290174	Seal Retainer	6
15	1290307	Valve Cover	6
16	1290178	Screw – Wedge Adjusting	6
17	6300160	Nut – Wedge Adjusting	6
18	1290315	Washer – Wedge Adjusting	6
19	1290308	Threaded Ring	6
20	1290376	Wedge Assembly (Included Items 21 – 22)	6
21	1290179*	Wedge, Set	6
22	1290181*	Spring – Wedge Retaining	6
23	1540126	Gasket – Valve Cover	6
24	1292140	Holder – Valve Guide	6
25	1292141	Insert – Valve Guide	6
26	6511416	Pin, Dowell	6
27	1290357	Plate – Wear	3
28	1290342	Connector – Discharge	2
29	7000305-11	Screw, Hex Head	16
30	7619050	Washer, Lock	16
31	1290343	Adapter – Discharge Connector	2
32	2410031-348	Packing, Rectangular	2
33	2410031-427	Packing, Rectangular	4
34	1290166	Clamp – Liner	3
35	1590051*	Seal – Suction Manifold	3
36	1290348	Spacer – Discharge, Studded (Included Items 37 – 39)	2
37	1290341	Spacer – Discharge	2
38	2402560	Stud – Discharge Spacer	16
39	6300200	Nut – Discharge Spacer	16
40	7006605	Capscrew	16
41	1290344*	Seal – Module, Wear Plate	6

42	1290345	Seal – Discharge Spacer	2
43	6908033	Ring – Oval Joint	2

Offered in Plain Carbon or Stainless Steel

* Not shown

10 – P – 130





FLUID END MODULE AND ACCESSORIES

12-P-160

Item	Part No.	Description	Qty per Pump
1	1292240	Discharge Module, Studded (Included Items 2 – 10)	(3)
2	1292241	Discharge Module, Only	3
3	6300220	Nut – Frame	30
4	2408029	Stud – Frame	30
5	6300180	Nut – Liner Bushing	18
6	2408028	Stud – Liner Bushing	18
7	6300281	Nut – Suction to Discharge Module	18
8	2408033	Stud – Suction to Discharge Module	18
9	6300240	Nut – Threaded Ring	72
10	2408027	Stud – Threaded Ring	72
11	1292243	Suction Module, Studded (Included Items 9, 10, 12)	(3)
12	1292244	Suction Module, Only	3
13	1292165	Bushing – Liner	3
14	1292174	Seal Retainer	6
15	1292172	Valve Cover	6
16	1292178	Screw – Wedge Adjusting	6
17	6300182	Nut – Wedge Adjusting	6
18	1292171	Washer – Wedge Adjusting	6
19	1292176	Thread Ring	6
20	1292268	Wedge Assembly (Included Items 21 – 22)	6
21	1292179*	Wedge, Set	6
22	1292181*	Spring – Wedge Retaining	6
23	1540127	Gasket – Valve Cover	6
24	1292140	Holder – Valve Guide	6
25	1292141	Insert – Valve Guide	6
26	6511416	Pin, Dowell	6
27	1292266	Plate – Wear	3
28	1292252	Connector – Discharge	2
29	7000307-11	Screw, Hex Head	16
30	7619050	Washer, Lock	16
31	1292253	Adapter – Discharge Connector	2
32	2410031-433	Packing, Rectangular	2
33	2410031-437	Packing, Rectangular	4
34	1292166	Clamp – Liner	3
35	1540851*	Seal – Suction Manifold	3
36	1292262	Spacer – Discharge, Studded (Included Items 37 – 39)	2
37	1292246	Spacer – Discharge	2
38	2408015	Stud – Discharge Spacer	16



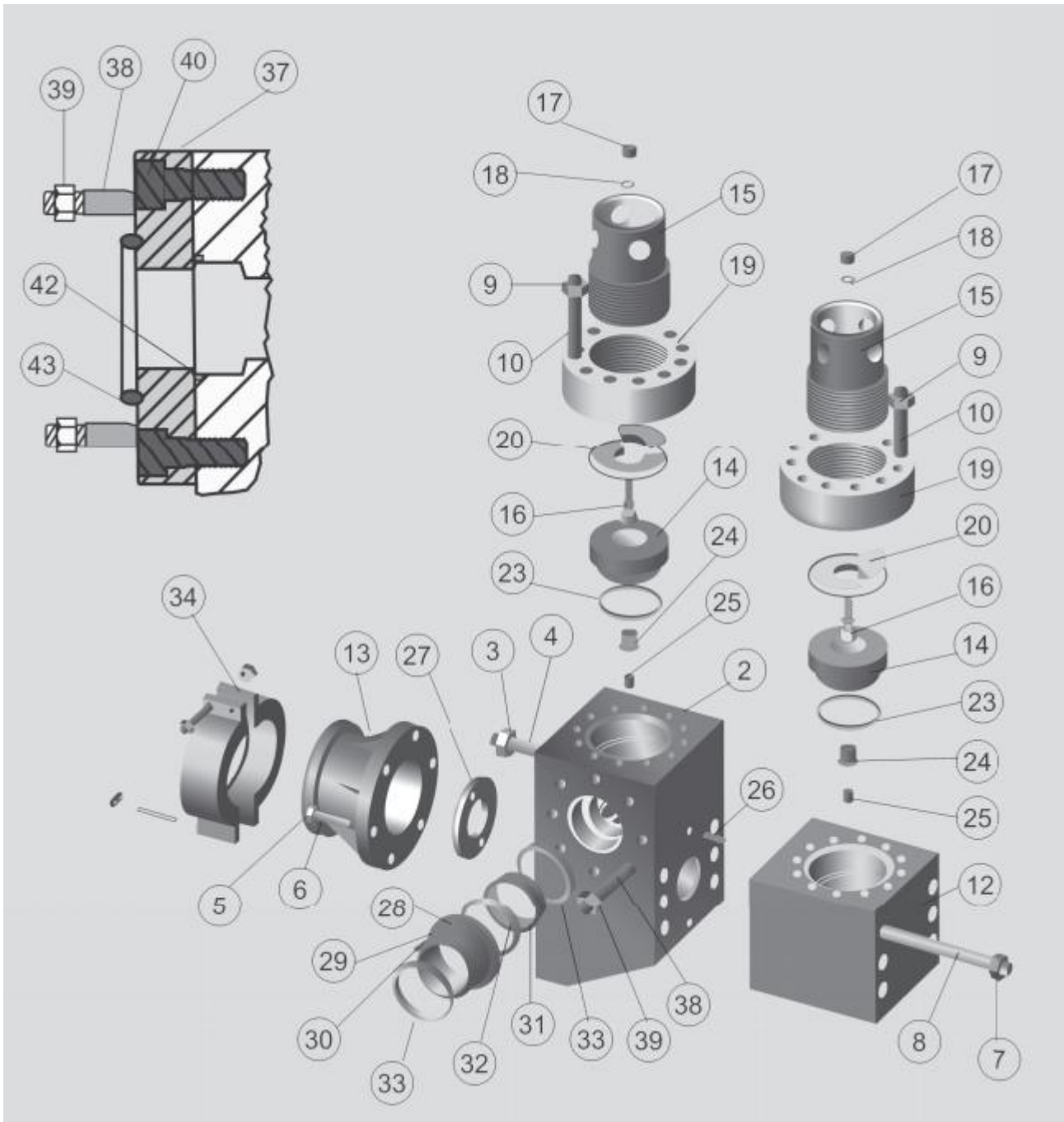
FLUID END MODULE AND ACCESSORIES

39	6300240	Nut – Discharge Spacer	16
40	7006685*	Capscrew	16
41	1292257*	Seal – Module, Wear Plate	6
42	1292258	Seal – Discharge Spacer	2
43	6908040	Ring – Oval Joint	2

Offered in Plain Carbon or Stainless Steel

* Not shown

12 – P – 160





**FLUID END MODULE
AND ACCESSORIES**

OILWELL

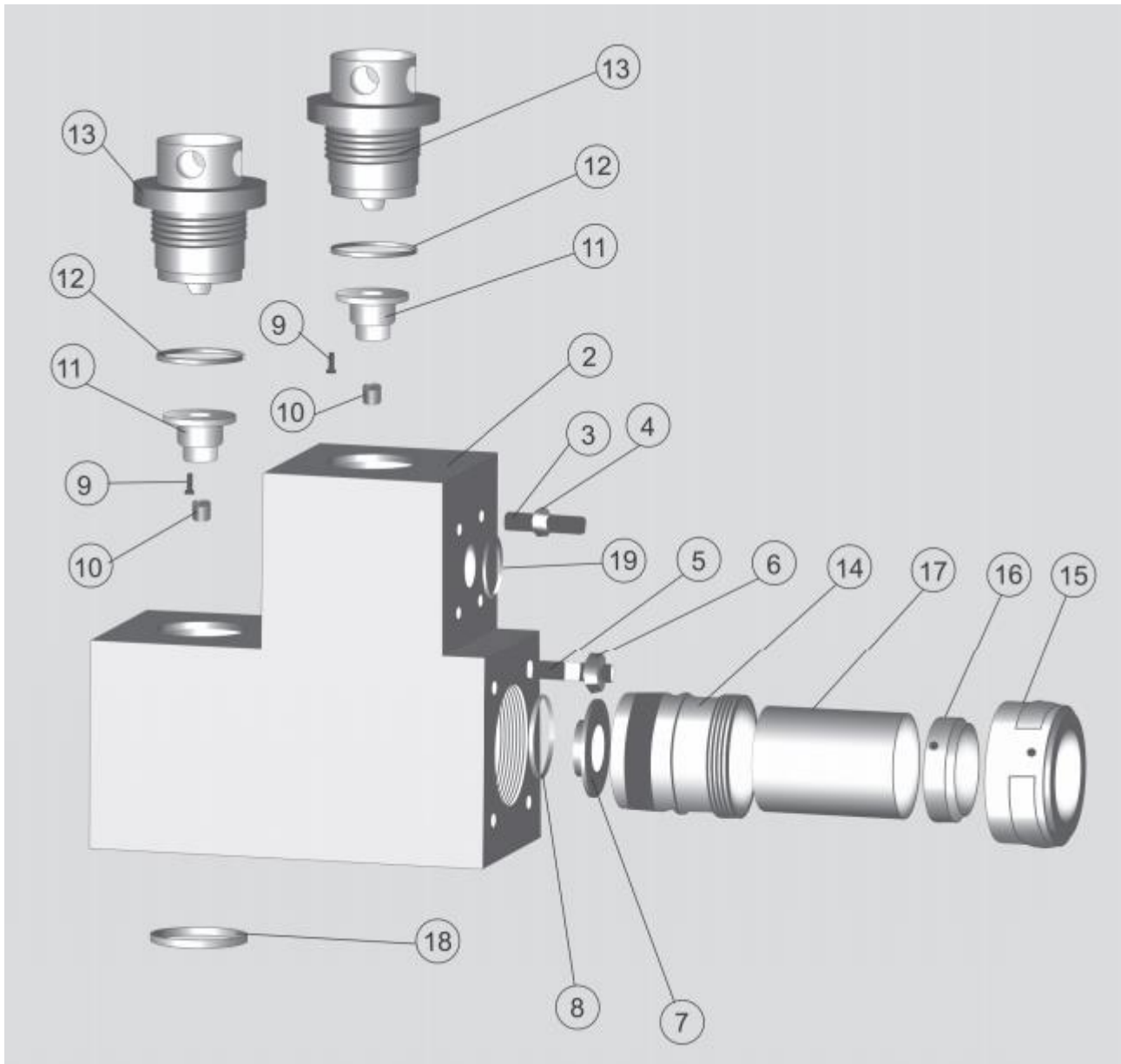
A-850-PT, A-1100-PT, A-1400-PT & A-1700-PT

Item	Part No.	Description	Qty per Pump
1	10-300-181	Discharge Module, Studded (Included Items 2 – 6)	(3)
2		Discharge Module, Only	3
3	49-001-292	Stud – Discharge Manifold	12
4	75-511-754	Nut – Discharge Manifold	12
5	49-002-837	Stud – Frame	12
6	75-510-126	Nut – Frame	12
7	10-300-184	Wear Plate – Liner	6
8	20-100-008	Gasket – Liner Wear Plate	6
9	75-632-234	Cap Screw, Self Locking	24
10	20-200-004	Valve Guide Bushing	6
11	10-300-004	Valve Guide	6
12	10-300-011	Gasket – Valve Cover	6
13	10-300-005	Valve Cover	6
14	10-300-183	Liner Adapter	3
15	10-303-092	Nut – Liner Adapter (A850-PT, A1100-PT only)	3
	10-300-182	Nut – Liner Adapter (A1400-PT, A1700-PT only)	3
16	10-300-185	Spacer Ring – Liner	3
17	10-303-091	2Centering Sleeve – Liner (A850-PT, A1100-PT only)	3
	10-300-186	2Centering Sleeve – Liner (A1400-PT, A1700-PT only)	3
18	10-300-201	Seal – Suction Manifold	3
19	99-609-345	Seal – Discharge Manifold	3

Offered in Plain Carbon or Stainless Steel

* Not shown

A-850-PT A-1100-PT
A-1400-PT A-1700-PT





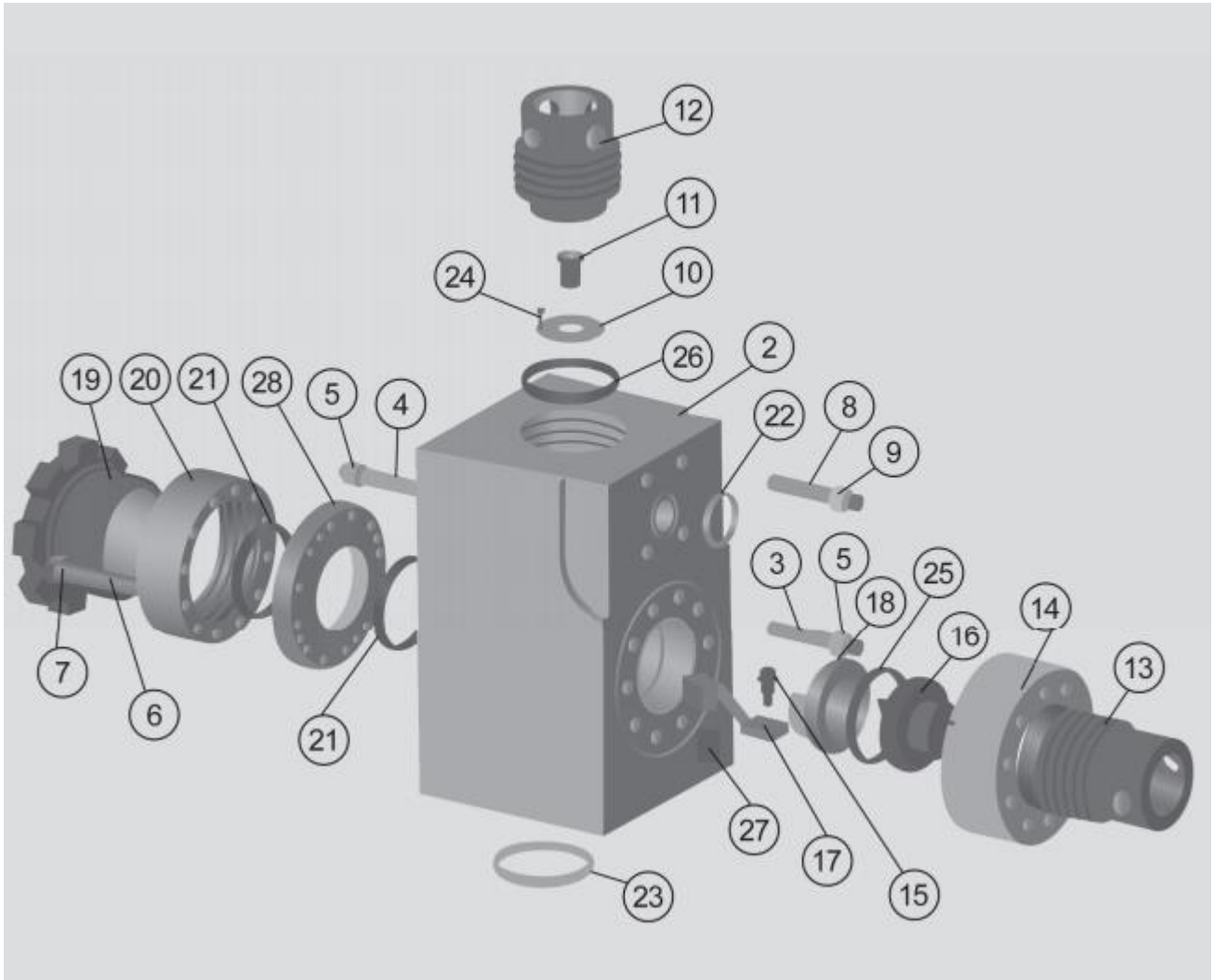
FLUID END MODULE AND ACCESSORIES

“L” SHAPED

FB-1300 & FB-1600

Item	Part No.	Description	Qty per Pump
	8490-2A	Complete Assembly	(3)
	8490-1	Fluid Module, Discharge - Studded (included Items 1-5)	(3)
1		Fluid Module - Discharge	3
2	4016-9	Stud w/Nut - Frame	18
3	4017-1	Stud w/Nut - Suction Module	18
4	4017-46	Stud w/Nut - Discharge Manifold	12
5	4015-2	Stud w/Nut - Valve Cover	72
	8490-2	Fluid Module, Suction - Studded (included items 5-6)	(3)
6		Fluid Module - Suction	3
7	7602-1600-61	Seal - Suction Manifold	3
8	8488-5	Dowel Pin	6
9	4475	Threaded Flange	6
10	4575	Screw Gland	6
	4675-2A	Valve Cover Plug Assembly (included items 11-14)	(6)
11	4675-2	Plug - Valve Cover	6
12	4775-2	Valve Guide	6
13	4016-99	Stud w/Nut - Valve Guide	16
14	4700-1	Insert - Valve Guide	6
15	P129	Seal - Valve Cover Plug	6
16	6490-3	Liner Retainer Flange	3
17	4017-36	Capscrew - Liner Retainer	24
18	6590-1	Nut - Liner Retainer	3
19	8422-3	Pilot Ring - Liner Retainer	3
20	8490-3	Plate - Wear	3
21	2988	Seal - Module and Wear Plate	6
22	7602-1600-25	Seal - Discharge Manifold	3

FB-1300 FB-1600



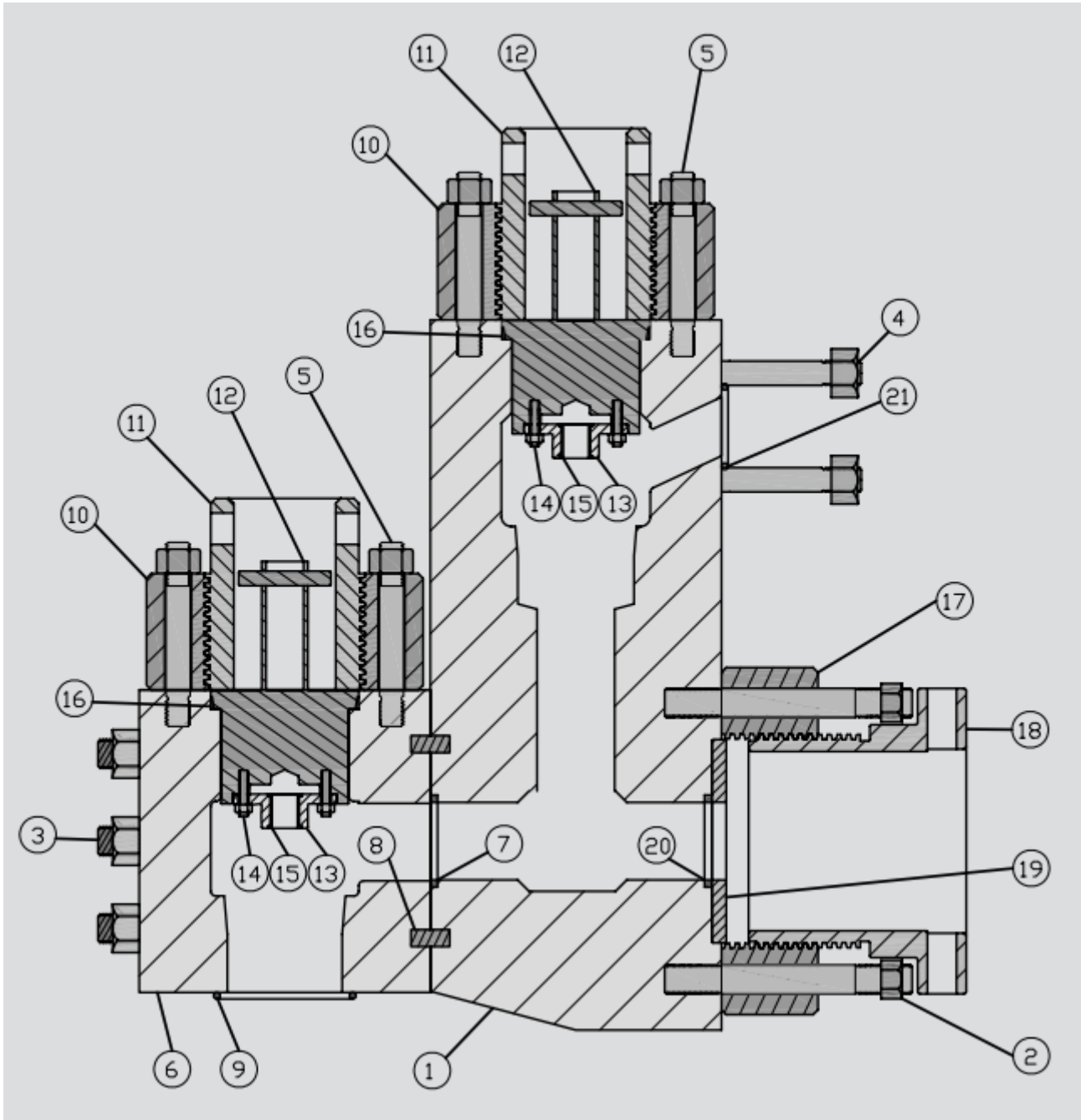


FLUID END MODULE AND ACCESSORIES

“L” SHAPED T-1300 & T-1600

Item	Part No.	Description	Qty per Pump
	8407-7A	Complete Assembly	(3)
	8407-7	Fluid Module, Discharge - Studded (included items 1-5)	(3)
1		Fluid Module - Discharge	3
2	4018-68	Stud w/Nut - Frame, Liner Retainer	24
3	4016-97	Stud w/Nut - Suction Module	24
4	4017-50	Stud w/Nut - Discharge Manifold	12
5	4015-2	Stud w/Nut - Valve Cover	48
	8407-11	Fluid Module, Suction - Studded (included items 5-6)	(3)
6		Fluid Module - Suction	3
7	2988	Seal - Suction Module	3
8	8488-5	Dowel Pin	6
9	IO-507	Seal - Suction Manifold	3
10	4475	Threaded Flange	3
11	4575	Screw Gland	3
	4675-2A	Valve Cover Plug Assembly (included items 12-15)	(3)
12	4675-2	Plug - Valve Cover	3
13	4775-2	Valve Guide	3
14	4016-99	Stud w/Nut - Valve Guide	12
15	4700-I	Insert - Valve Guide	3
16	P129	Seal - Valve Cover Plug	3
17	6407	Liner Retainer Flange	3
18	6507	Nut - Liner Retainer	3
19	8407-10	Plate - Wear	3
20	2988	Seal - Wear Plate	3
21	IO-548	Seal - Discharge Manifold	3

T-1300 T-1600



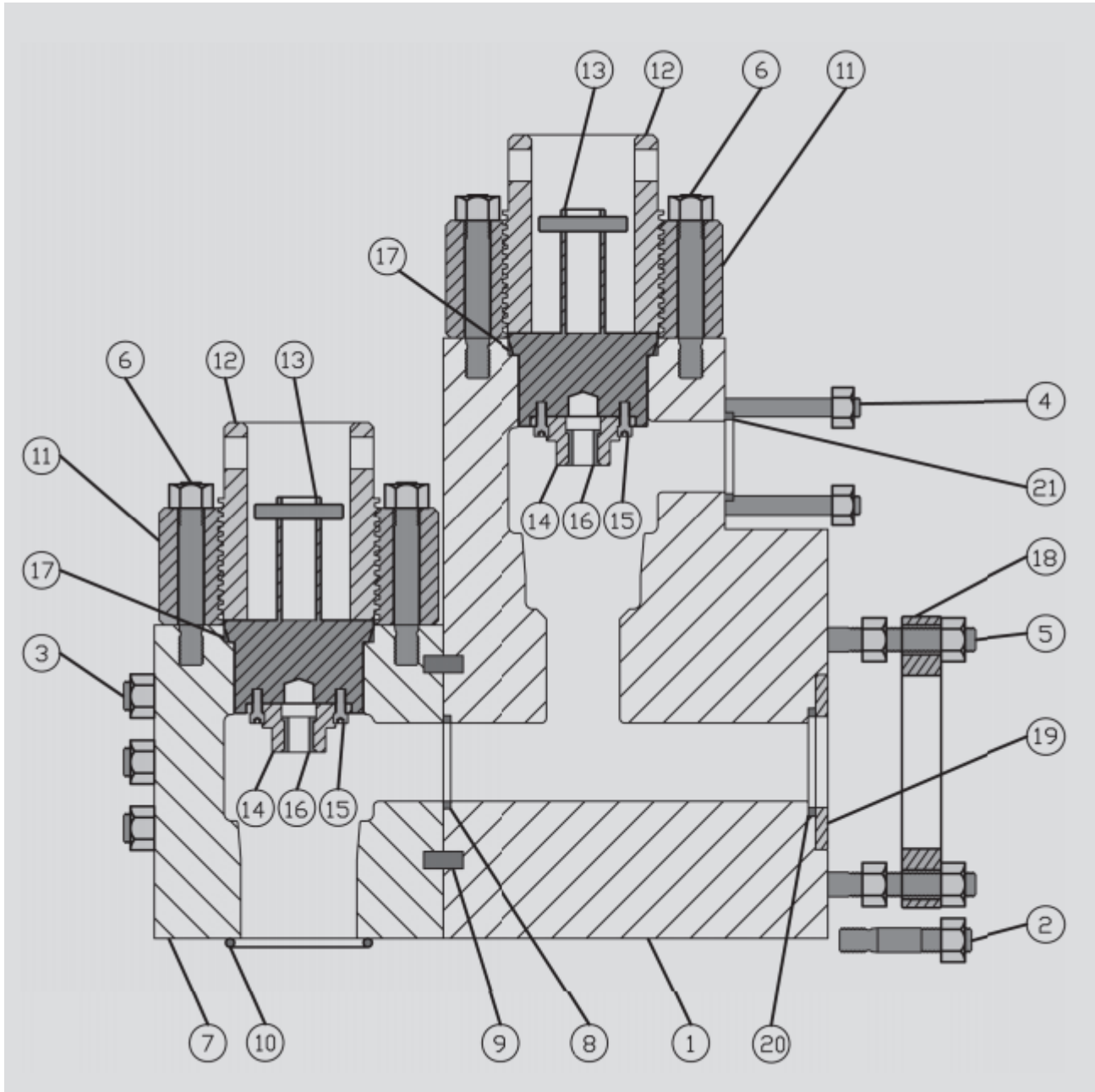


FLUID END MODULE AND ACCESSORIES

“L” SHAPED PZ-10 & PZ-11

Item	Part No.	Description	Qty per Pump
	8477-A	Complete Assembly	(3)
	8477-1	Fluid Module, Discharge - Studded (included items 1-6)	(3)
1		Fluid Module - Discharge	3
2	4018-35	Stud w/Nut - Frame	24
3	4016-97	Stud w/Nut - Suction Module	18
4	4017-5	Stud w/Nut - Discharge Manifold	12
5	4018-34	Stud w/2 Nut - Liner Retainer	24
6	4015-2	Stud w/Nut - Valve Cover	72
	8477-2	Fluid Module, Suction - Studded (included items 6-7)	(3)
7		Fluid Module - Suction	3
8	2988	Seal - Suction Module	3
9	8488-5	Dowel Pin	6
10	25BE41	Seal - Suction Manifold	3
11	4475	Threaded Flange	6
12	4575	Screw Gland	6
	4675-1A	Valve Cover Plug Assembly (included items 13-16)	(6)
13	4675-1	Plug - Valve Cover	6
14	4775	Valve Guide	6
15	4016-99	Stud w/Nut - Valve Guide	24
16	4700-I	Insert - Valve Guide	6
17	P129	Seal - Valve Cover Plug	6
18	6477	Liner Retainer Flange	3
19	8477-3	Plate - Wear	3
20	2930-08	Seal - Wear Plate	3
21	25AL35	Seal - Discharge Manifold	3

PZ-10 PZ-11



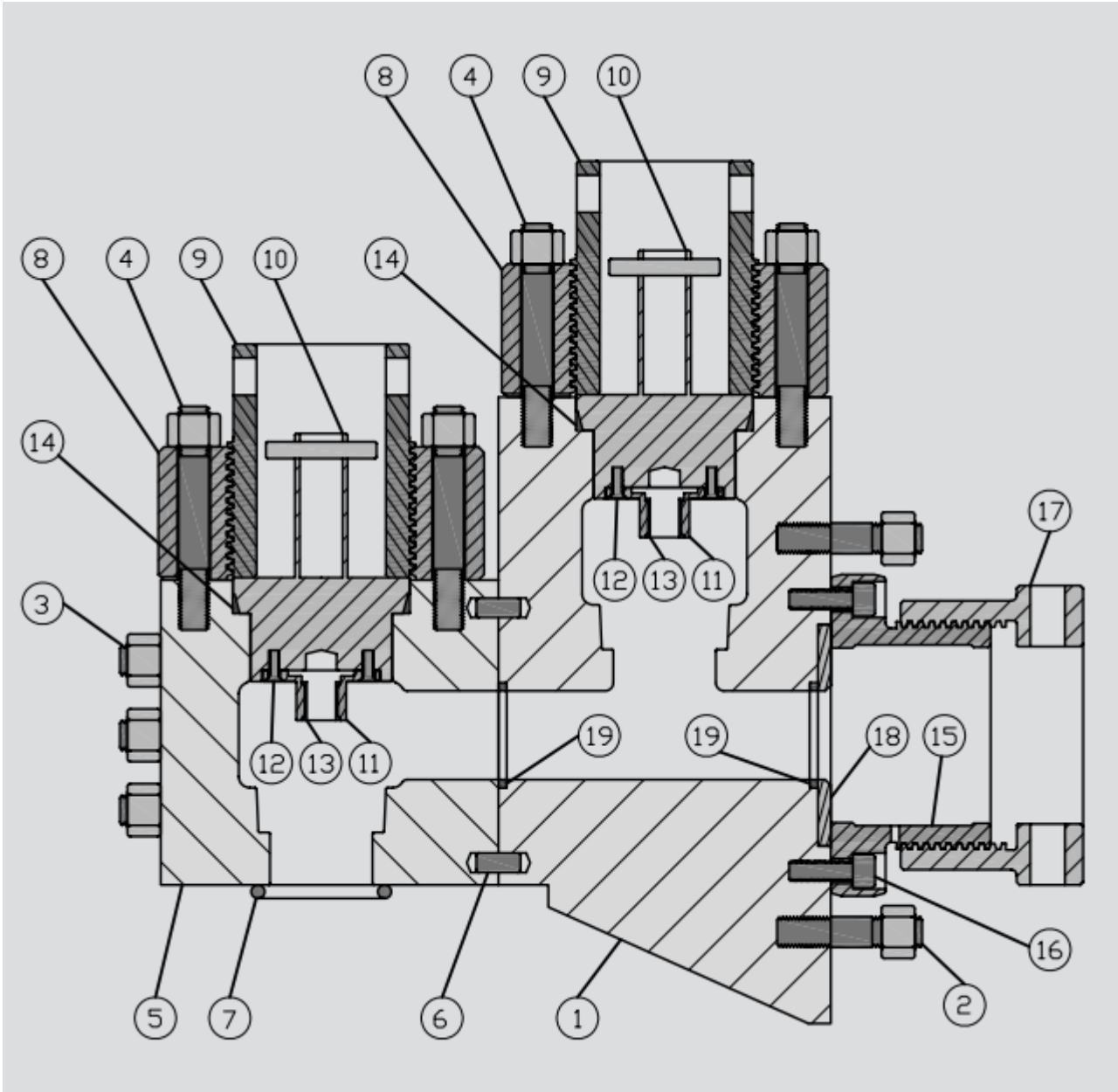


**FLUID END MODULE
AND ACCESSORIES**

**“L” SHAPED
10-P-130**

Item	Part No.	Description	Qty per Pump
	8467-A	Complete Assembly	(3)
	8467-1	Fluid Module, Discharge - Studded (included Items 1-4)	(3)
1		Fluid Module - Discharge	3
2	4015-96	Stud w/Nut - Frame	30
3	4017-1	Stud w/Nut - Suction Module	18
4	4015-5	Stud w/Nut - Valve Cover	72
	8467-2	Fluid Module, Suction - Studded (included items 4-5)	(3)
5		Fluid Module - Suction	3
6	8488-5	Dowel Pin	6
7	1590051	Seal - Suction Manifold	3
8	4467	Threaded Flange	6
9	4567	Screw Gland	6
	4667-A	Valve Cover Plug Assembly (included items 10-13)	(6)
10	4667	Plug - Valve Cover	6
11	4760-3	Valve Guide	6
12	4016-98	Screw - Valve Guide	16
13	4700-I	Insert - Valve Guide	6
14	P128	Seal - Valve Cover Plug	6
15	6495	Liner Retainer Flange	3
16	4017-8	Capscrew - Liner Retainer	18
17	6595	Nut - Liner Retainer	3
18	8467-3	Plate - Wear	3
19	2988	Seal - Module and Wear Plate	6

10-P-130





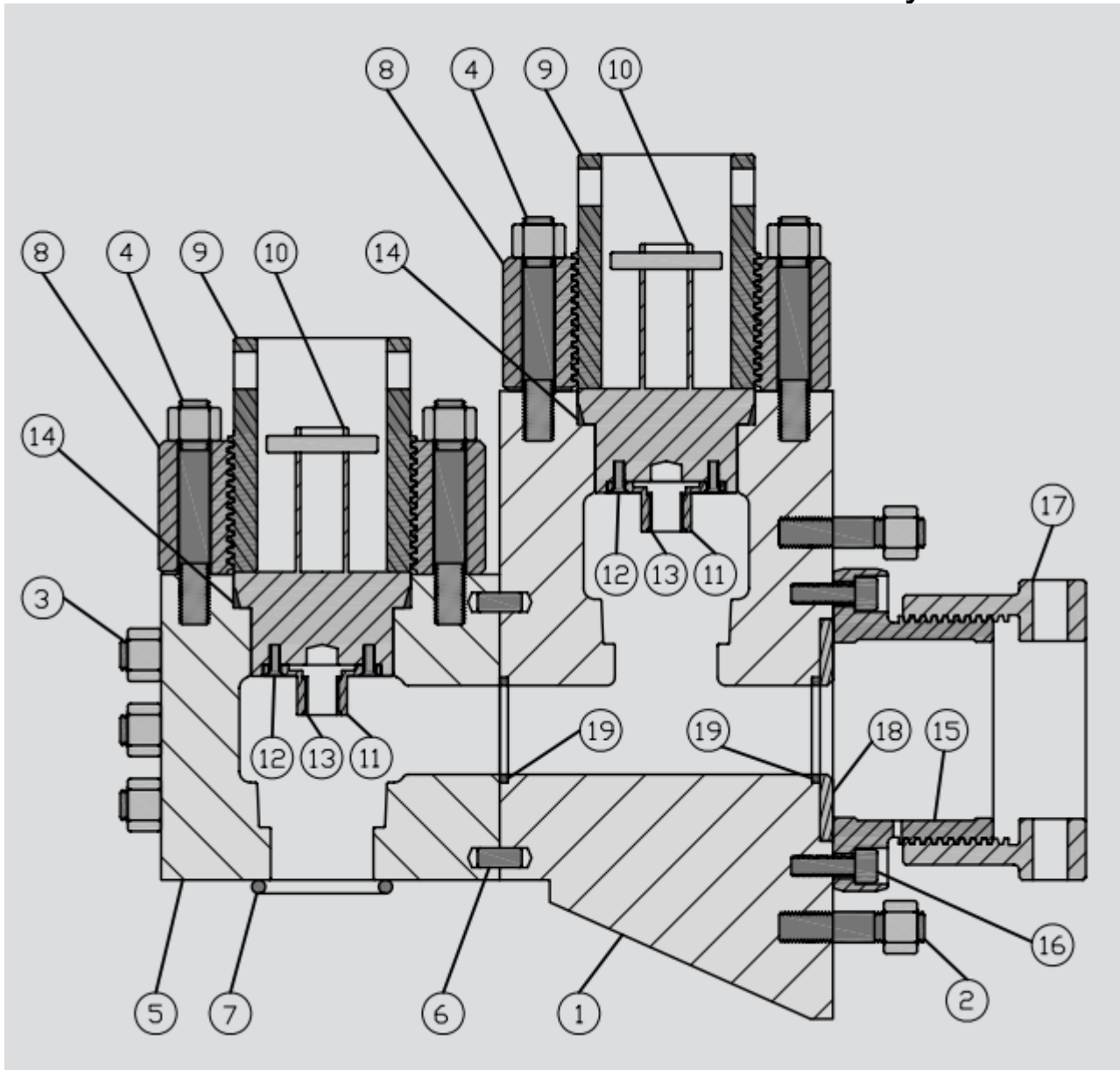
FLUID END MODULE AND ACCESSORIES

“L” SHAPED

12-P-160 New Style

Item	Part No.	Description	Qty per Pump
	8476-4A	Complete Assembly	(3)
	8476-5	Fluid Module, Discharge - Studded (included Items 1-4)	(3)
1		Fluid Module - Discharge	3
2	4015-95	Stud w/Nut - Frame	30
3	4018-17	Stud w/Nut - Suction Module	18
4	4015-54	Stud w/Nut - Valve Cover	72
	8476-6	Fluid Module, Suction - Studded (included items 4-5)	(3)
5		Fluid Module - Suction	3
6	8488-5	Dowel Pin	6
7	1540851	Seal - Suction Manifold	3
8	4476	Threaded Flange	6
9	4597	Screw Gland	6
	4676-6A	Valve Cover Plug Assembly (included items 10-13)	(6)
10	4676-6	Plug - Valve Cover	6
11	4776	Valve Guide	6
12	4016-98	Screw - Valve Guide	24
13	4700-I	Insert - Valve Guide	6
14	P119	Seal - Valve Cover Plug	6
15	6476	Liner Retainer Flange	3
16	4017-65	Capscrew - Liner Retainer	18
17	6576	Nut - Liner Retainer	3
18	8476-3	Plate - Wear	3
19	2988	Seal - Module and Wear Plate	6

12-P-160 New Style





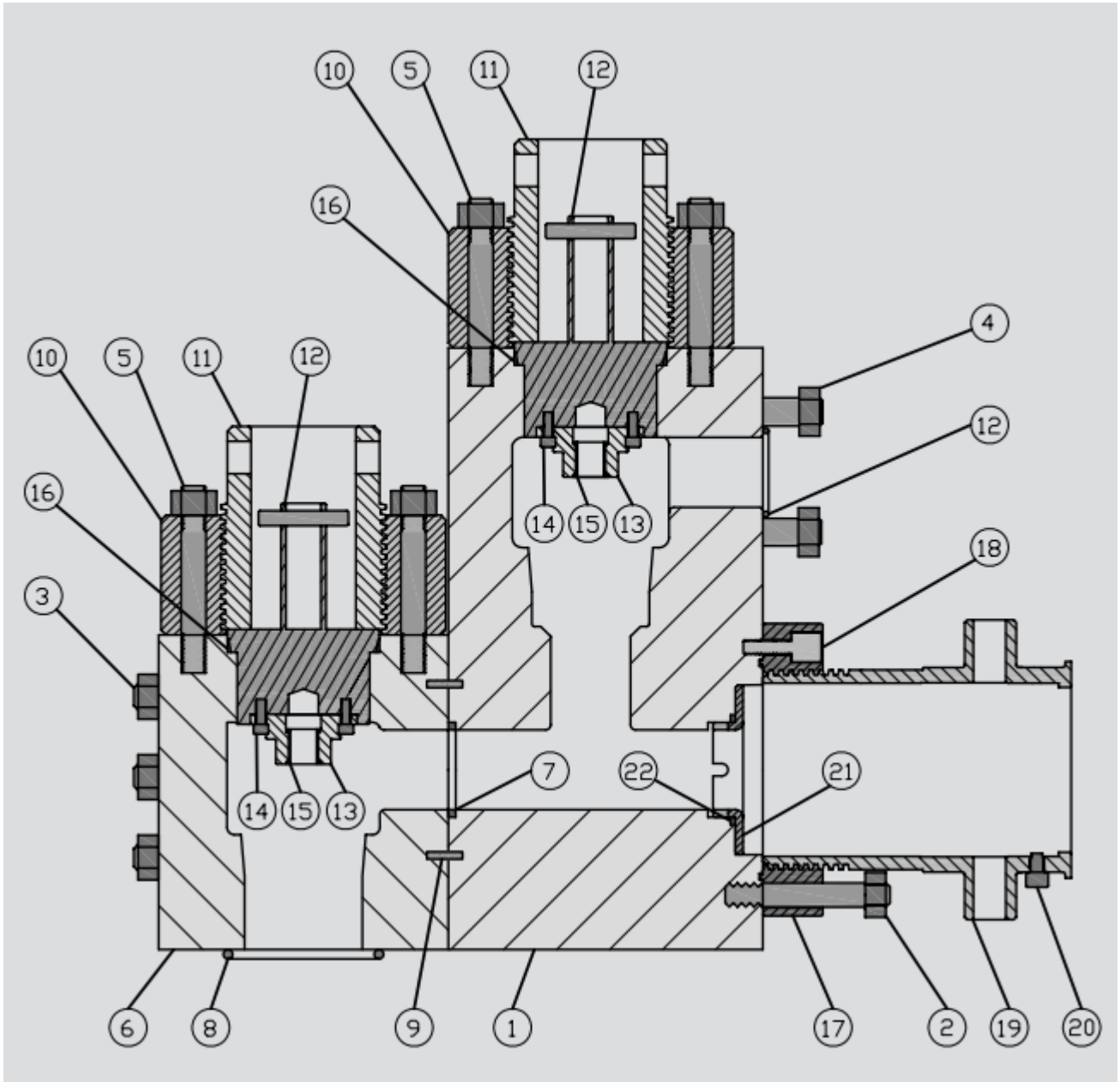
FLUID END MODULE AND ACCESSORIES

“L” SHAPED

A-850-PT, A-1100-PT, A-1400-PT & A-1700-PT

Item	Part No.	Description	Qty per Pump
	8487-A	Complete Assembly (A-850-PT, A-1100-PT)	(3)
	8488-1A	Complete Assembly (A-1400-PT, A-1700-PT)	(3)
	8488-1	Fluid Module, Discharge - Studded (included items 1-5)	(3)
1		Fluid Module - Discharge	3
2	4016-96	Stud w/Nut - Frame	12
3	4016-97	Stud w/Nut - Suction Module	18
4	4016-3	Stud w/Nut - Discharge Manifold	12
5	4015-2	Stud w/Nut - Valve Cover	72
	8488-2	Fluid Module, Suction - Studded (included items 5-6)	(3)
6		Fluid Module - Suction	3
7	2988	Seal - Module	3
8	10-300-201	Seal - Suction Manifold	3
9	8488-5	Dowel Pin	6
10	4475	Threaded Flange	6
11	4575	Screw Gland	6
	4675-1A	Valve Cover Plug Assembly (included items 12-15)	(6)
12	4675-1	Plug - Valve Cover	6
13	4775	Valve Guide	6
14	4018-88	Screw - Valve Guide	12
15	4700-I	Insert - Valve Guide	6
16	P129	Seal - Valve Cover Plug	3
17	6488-1	Liner Retainer Flange	3
18	4017-4	Capscrew - Liner Retainer	24
19	6587-1	Nut - Liner Retainer (A-850-PT, A-1100-PT ONLY Large OD Liner, 0289-XX)	3
	6588-1	Nut - Liner Retainer (A-1400-PT, A-1700-PT ONLY Large OD Liner, 0284-XX)	3
20	8488-7	Set Screw - Liner Retainer	9
21	8488-4	Plate - Wear	3
22	2974-1	Seal - Wear Plate	3

A-850-PT A-1100-PT
A-1400-PT A-1700-PT



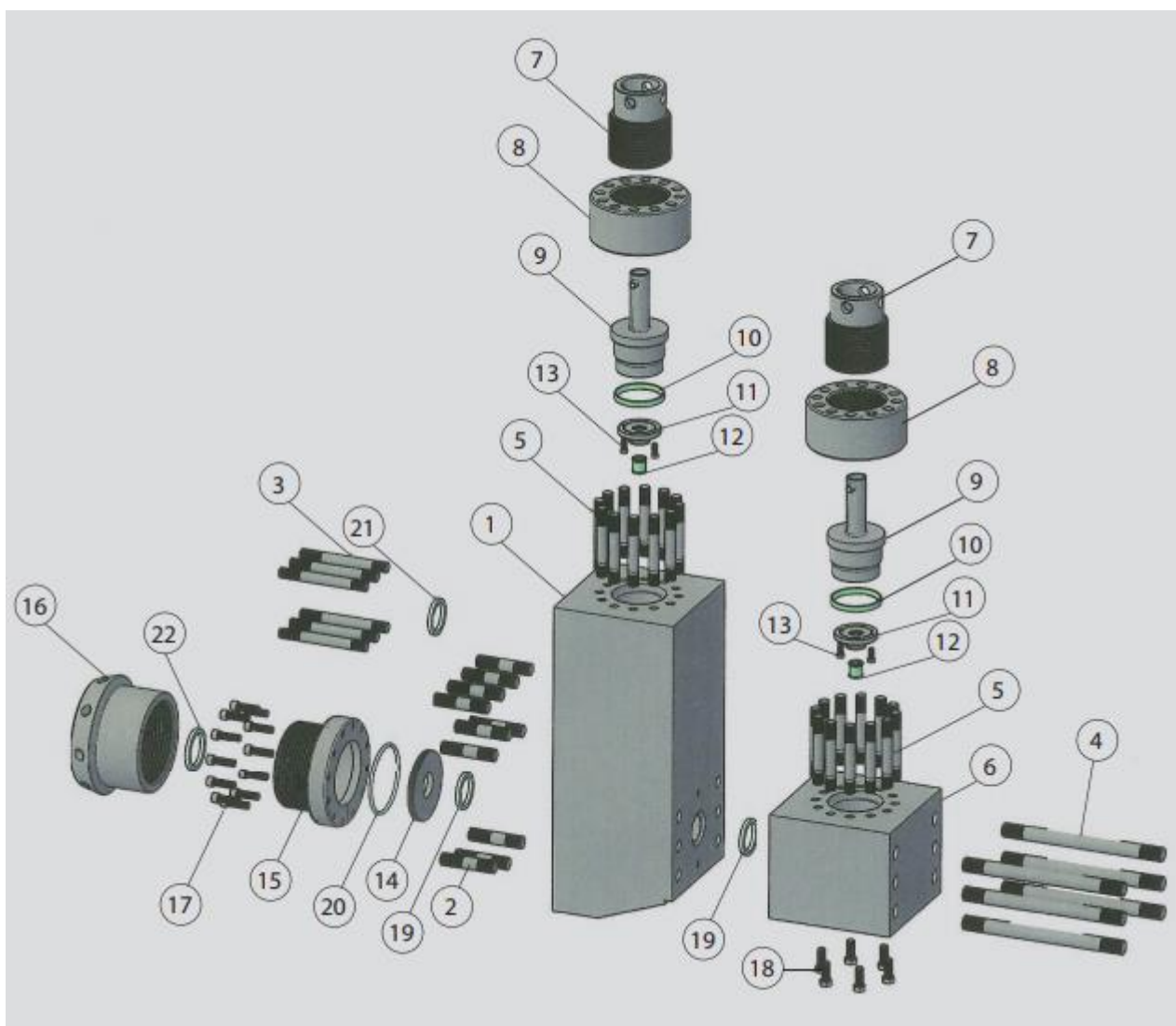


FLUID END MODULE AND ACCESSORIES

SW STYLE BOMCO F-1600 7500 PSI

Item	Part No.	Description	Qty per Pump
	8404-25A	Fluid End Assembly Complete	3
	8404-27	Discharge Module - Studded (Includes Items 1-5)	
1	8404-27U	Discharge Module	3
2	4017-33	Power End Stud c/w Nut	30
3	4019-60	Discharge Manifold Stud c/w Nut	18
4	4019-61	Suction Module Stud c/w Nut	18
5	4015-2	Valve Cover Stud c/w Nut	72
	8404-26	Suction Module - Studded (Includes Items 5-6)	
6	8404-26U	Suction Module	3
7	4588-25	Screw Gland	6
8	4488-25	Valve Cover Flange	6
	4690-25A	Valve Cover Plug Assembly (Includes Items 9-13)	
9	4690-25	Valve Cover Plug	6
10	P115	Valve Cover Plug Seal	6
11	4788-25	Valve Guide	6
12	4700-I	Valve Guide Bushing	6
13	4018-18	Valve Guide Screw	12
14	8490-28	Liner Wear Plate	3
15	6490-25	Liner Retainer Flange	3
16	6590-25	Liner Retainer Nut	3
17	4019-51	Liner Retainer Capscrew	36
18	4018-19	Suction Manifold Capscrew	18
19	2988	Module/Wear Plate Seal	6
20	568-443	Wear Plate O-Ring	3
21	2988	Discharge Manifold Seal	3
		NOT SHOWN	
	6316020100	Suction Manifold	1
	8376-25	Discharge Manifold	1

**SW STYLE
BOMCO F-1600
7500 PSI**



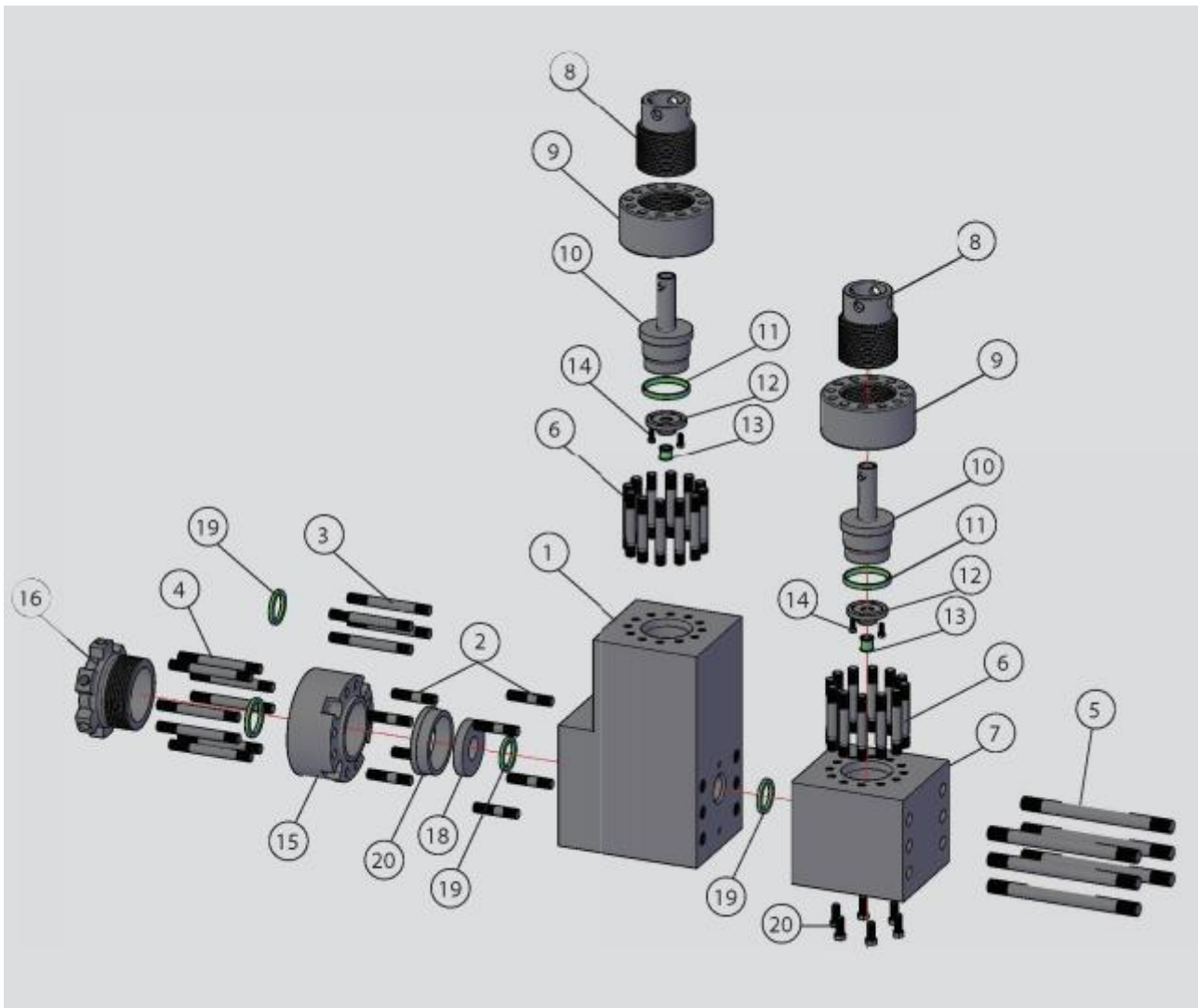


FLUID END MODULE AND ACCESSORIES

SW Style Gardner Denver PZ-11 7500 PSI

Item	Part No.	Description	Qty per Pump
	8477-25A	Fluid End Assembly Complete	3
	8477-27	Discharge Module - Studded (Includes Items 1-6)	
1	8477-27U	Discharge Module	3
2	4019-46	Power End Stud c/w Nut	24
3	4019-45	Discharge Manifold Stud c/w Nut	12
4	4019-45	Liner Retainer Stud c/w Nut	24
5	4019-44	Suction Module Stud c/w Nut	18
6	4015-2	Valve Cover Stud c/w Nut	72
	8477-26	Suction Module - Studded (Includes Items 6-7)	
7	8477-26U	Suction Module	3
8	4588-25	Screw Gland	6
9	4488-25	Valve Cover Flange	6
	4688-25A	Valve Cover Plug Assy (Includes Items 10-14)	
10	4688-25	Valve Cover Plug	6
11	P115	Valve Cover Plug Seal	6
12	4788-25R	Valve Guide	6
13	4700-I	Valve Guide Bushing	16
14	4018-18	Valve Guide Screw	12
15	6477-25	Liner Retainer Flange	3
16	6577-25	Liner Retainer Nut	3
17	8477-29	Alignment Ring	3
18	8477-30	Liner Wearplate	3
19	2988	Wearplate, Module, Discharge Manifold Seal	9
20	4017-77	Suction Manifold Capscrew	24
		NOT SHOWN	
	8577-25	Suction Manifold	1
	8377-27	Discharge Manifold	1

**SW STYLE
GARDNER DENVER PZ-11
7500 PSI**



HYDRAULIC VALVES SEAT PULLER

PARTS & OPERATING INSTRUCTIONS

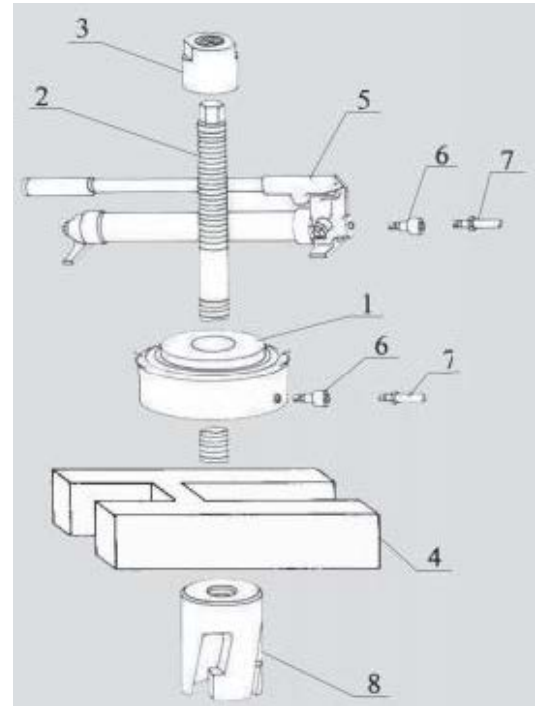
1, Insert head into pot and lock into seat.
Screw stem into head.

2, Place H bar over stem and center over pot bore. Place jack over stem and on H bar.

3, Tighten stem nut onto stem until all slack is removed. The jack may be strapped down to eliminate jumping action when seat breaks loose.

4, Attach hose to pump and jack then pump handle until seat breaks loose.

Manual Pump(5) Max 10000 PSI
Hydraulic Jack(1) 170 ton.



No.	Part Number	Description
	MK-1700	Valve Seat Puller Assembly complete w/ metal case
1	MK-1701	Hydraulic Jack
	MK-1717	Hydraulic Jack Seal Repair Kit
2	MK-1702	Center Stem
3	MK-1703	Center Stem Nut
4	MK-1704	Puller H Bar
5	MK-1708	Hydraulic Pump
	MK-1718	Hydraulic Pump Repair Kit
6	MK-1713	Gauge Coupler
7	MK-1707	Hydraulic Hose

